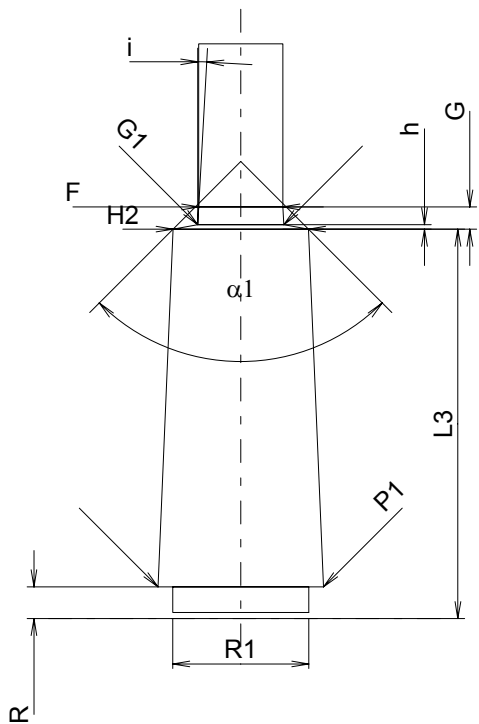
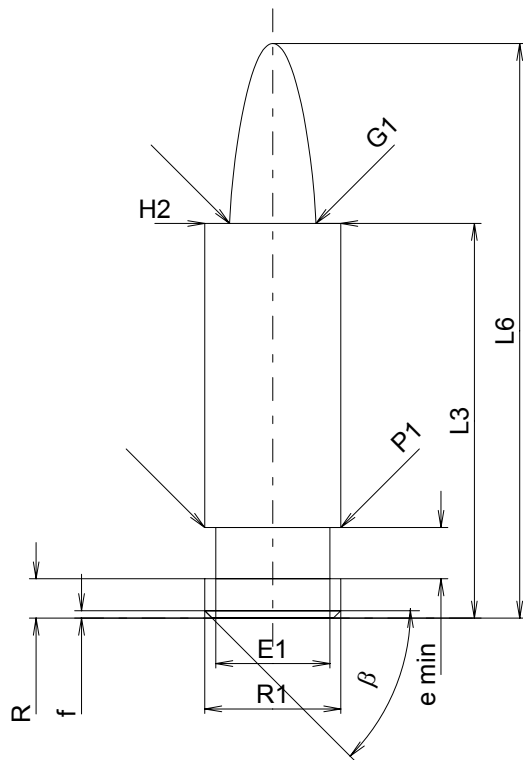


C.I.P.**5,7 mm UCC Voere**

TAB.	XI
Date	94-05-25
Révision	96-06-06

Pays d'origine: AT



Échelle 2:1

Dimensions en << mm >>
Dimensions et tolérances pour les canons
d'épreuve: Voyez Annexe CR 1.

CARTOUCHE MAXI**Longueurs**

L1	=	
L2	=	
L3 ¹⁾	=	26.10
L4	=	
L5	=	
L6	=	38.00

Culot

R	=	2.60
R1	=	9.00
R3	=	
E	=	
E1	=	7.55
e min	=	3.40
delta	=	
f	=	0.50
beta	=	45°

Chambre à poudre

P1	=	9.00
P2	=	

Cône de raccordement

alpha	=	
S	=	
r1 min	=	
r2	=	

Collet

H1	=	
H2 ¹⁾	=	9.00

Projectile

G1 ¹⁾	=	5.70
G2	=	
F	=	
L3+G ¹⁾	=	27.57

Pressions (Énergies)**Méthode transducteur**

Pmax	=	4100 bar
PK	=	4715 bar
PE	=	5330 bar
M	=	15.50

Autres indications

Fe	=	
delta L	=	

CHAMBRE MINI**Longueurs**

L1	=	
L2	=	
L3 ¹⁾	=	25.75

Cuvette

R	=	2.10
R1	=	9.00
R2	=	
R3	=	
r	=	

Chambre à poudre

E	=	
P1 ¹⁾	=	10.95
P2	=	

Cône de raccordement

alpha ¹⁾	=	180°
S	=	
r1 max	=	1.00
r2	=	0.40

Collet

H1	=	
H2 ¹⁾	=	8.95

Prise de rayures

G1 ^{1)*}	=	5.69
G ^{1)*}	=	1.47
alpha1	=	90°
h*	=	0.30
s	=	
i ¹⁾	=	3°10'47"
w	=	

Canon

F ^{1)*}	=	5.56
Z ¹⁾	=	5.69

Rayures

b	=	1.88
N	=	6
u	=	305.00
Q	=	25.03 mm ²

Notes: 1) A' contrôler pour la sécurité
* Dimensions de base