

# C.I.P.

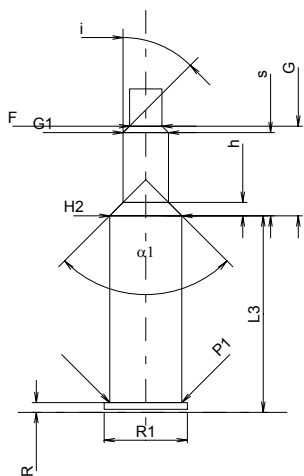
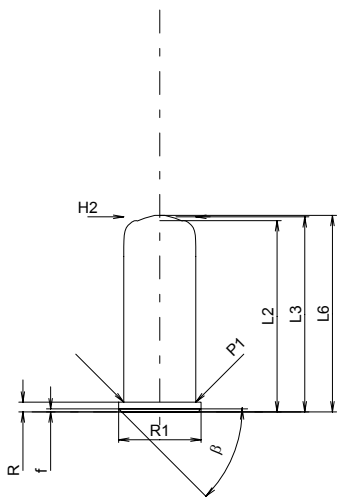
## 35 R Blanc

Country of Origin: DE

TAB. VIII

Date 92-03-12

Revision 94-03-01



Scale 1:1

Dimensions in << mm >>  
Dimensions and Tolerances for Proof Barrels  
see Appendix CR 5.

### CARTRIDGE MAXI

#### Lengths

L1	=	
L2 *	=	25.30
L3 <sup>1)</sup>	=	25.80
L4	=	
L5	=	
L6 <sup>1)</sup>	=	26.00

#### Case Head

R	=	1.30
R1	=	10.90
R3	=	
E	=	
E1	=	
e min	=	
delta	=	
f	=	0.40
beta	=	45°

#### Powder Chamber

P1	=	9.50
P2	=	

#### Junction Cone

alpha	=	
S	=	
r1 min	=	
r2	=	

#### Collar

H1	=	
H2 <sup>1)</sup>	=	9.50

#### Projectile

G1	=	
G2	=	
F	=	
L3+G	=	

#### Pressures (Energies)

##### Method Transducer

Pmax	=	450 bar
PK	=	518 bar
PE	=	585 bar
M	=	8.50

#### Miscellaneous Dimensions

Fe	=	
delta L	=	

### CHAMBER MINI

#### Lengths

L1	=	
L2	=	
L3 <sup>1)</sup>	=	26.00

#### Breech

R <sup>1)</sup>	=	1.30	+0.10
R1	=	11.00	
R2	=		
R3	=		
r	=		

#### Powder Chamber

E	=	
P1 <sup>1)</sup>	=	9.55
P2	=	

#### Junction Cone

alpha	=	
S	=	
r1 max	=	
r2	=	

#### Collar

H1	=	
H2 <sup>1)</sup>	=	9.55

#### Commencement of Rifling

G1 <sup>2)*</sup>	=	6.00
G <sup>2)*</sup>	=	11.85
alpha1	=	90°
h	=	1.77
s *	=	11.00
i	=	45°
w	=	

#### Barrel

F <sup>2)*</sup>	=	4.30
Z	=	4.30

#### Grooves

b	=	
N	=	
u	=	
Q <sup>2)</sup>	=	14.52 mm <sup>2</sup>

Notes: 1) Check for safety reasons  
2) Valid only for Proof Barrels  
\* Basic dimensions