

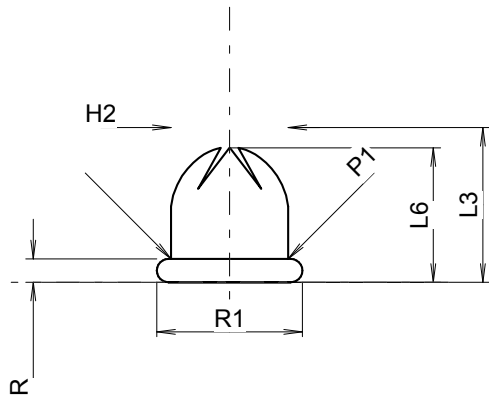
C.I.P.**6mm Flobert Blanc**

TAB. VIII

Date 91-08-02

Revision 08-04-15

Country of Origin: FR

**CARTRIDGE MAXI****Lengths**

L1	=	
L2	=	
L3 ¹⁾	=	7.60
L4	=	
L5	=	
L6 ¹⁾	=	6.60

Case Head

R	=	1.15
R1	=	7.15
R3	=	
E	=	
E1	=	
e min	=	
δ	=	
f	=	
β	=	

Powder Chamber

P1 ¹⁾	=	5.75
P2	=	

Junction Cone

α	=	
S	=	
r1 min	=	
r2	=	

Collar

H1	=	
H2 ¹⁾	=	5.75

Projectile

G1	=	
G2	=	
F	=	
L3+G	=	

Pressures (Energies)**Energy**

E _{max}	=	42.0 Joule
E _K	=	44.9 Joule
E _E	=	46.2 Joule

Miscellaneous Dimensions

Fe	=	
delta L	=	

CHAMBER MINI**Lengths**

L1	=	
L2	=	
L3 ¹⁾	=	7.80

Breech

R ¹⁾	=	1.15
R1	=	7.30
R2	=	
R3	=	
r	=	

Powder Chamber

E	=	
P1 ¹⁾	=	5.76
P2	=	

Junction Cone

α	=	
S	=	
r1 max	=	
r2	=	

Collar

H1	=	
H2 ¹⁾	=	5.76

Commencement of Rifling

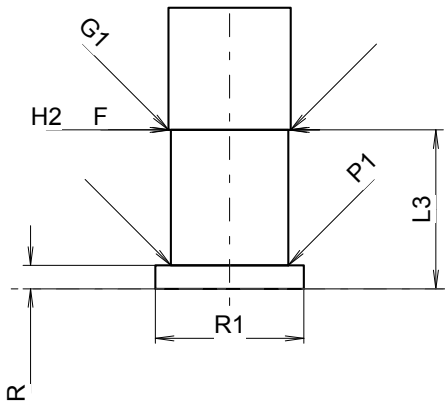
G1 ²⁾ *	=	6.00
G	=	
α ₁	=	180°
h	=	
s	=	
i	=	
w	=	

Barrel

F ²⁾ *	=	6.00
Z	=	6.00

Grooves

b	=	
N	=	
u	=	
Q ²⁾	=	28.27 mm ²



Scale 2.69:1

Dimensions in << mm >>
 Dimensions and Tolerances for Proof Barrels
 see Appendix CR 5.

Notes: 1) Check for safety reasons
 2) Valid only for Proof barrels
 * Basic dimensions