

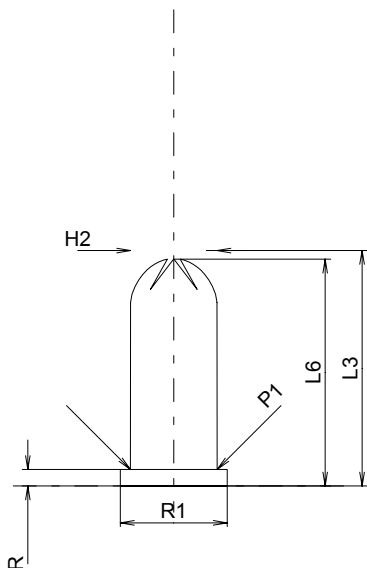
C.I.P.**22 Long Blanc**

TAB. VIII

Date 91-08-02

Revision 94-03-01

Country of Origin: IT

**CARTRIDGE MAXI****Lengths**

L1	=	
L2	=	
L3 ¹⁾	=	15.57
L4	=	
L5	=	
L6 ¹⁾	=	15.00

Case Head

R	=	1.09
R1	=	7.06
R3	=	
E	=	
E1	=	
e min	=	
δ	=	
f	=	
β	=	

Powder Chamber

P1	=	5.74
P2	=	

Junction Cone

α	=	
S	=	
r1 min	=	
r2	=	

Collar

H1	=	
H2 ¹⁾	=	5.72

Projectile

G1	=	
G2	=	
F	=	
L3+G	=	

Pressures (Energies)**Method Transducer**

Pmax	=	500 bar
PK	=	575 bar
PE	=	650 bar
M	=	7.00

Miscellaneous Dimensions

Fe	=	
delta L	=	

CHAMBER MINI**Lengths**

L1	=	
L2	=	
L3 ¹⁾	=	15.00

Breech

R ¹⁾	=	1.09
R1	=	7.32
R2	=	
R3	=	
r	=	

Powder Chamber

E	=	
P1 ¹⁾	=	5.76
P2	=	

Junction Cone

α	=	
S	=	
r1 max	=	
r2	=	

Collar

H1	=	
H2 ¹⁾	=	5.74

Commencement of Rifling

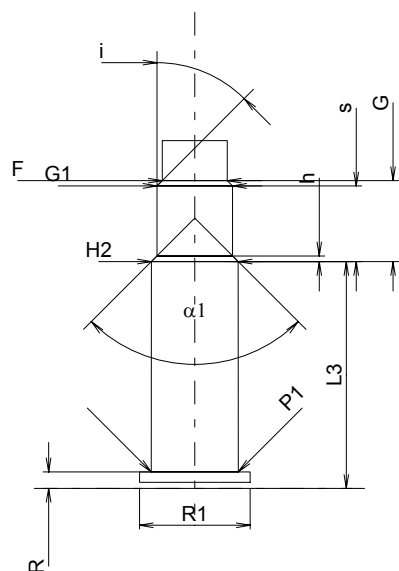
G1 ^{2)*}	=	5.00
G ^{2)*}	=	5.35
α1	=	90°
h	=	0.37
s*	=	5.00
i	=	45°
w	=	

Barrel

F ^{2)*}	=	4.30
Z	=	4.30

Grooves

b	=	
N	=	
u	=	
Q ²⁾	=	14.52 mm ²



Scale 2:1

Dimensions in << mm >>
Dimensions and Tolerances for Proof Barrels
see Appendix CR 5.

Notes: 1) Check for safety reasons
2) Valid only for Proof Barrels
* Basic dimensions