

**C.I.P.****4 mm Randz. court Blanc**

TAB. VIII

Date 92-03-12

Revision 92-06-10

Country of Origin: DE

**CARTRIDGE MAXI****Lengths**

L1	=	
L2	=	
L3 <sup>1)</sup>	=	6.60
L4	=	
L5	=	
L6 <sup>1)</sup>	=	6.40

**Case Head**

R	=	1.30
R1	=	6.10
R3	=	
E	=	
E1	=	
e min	=	
δ	=	
f	=	
β	=	

**Powder Chamber**

P1	=	4.65
P2	=	

**Junction Cone**

α	=	
S	=	
r1 min	=	
r2	=	

**Collar**

H1	=	
H2 <sup>1)</sup>	=	4.58

**Projectile**

G1	=	
G2	=	
F	=	
L3+G	=	

**Pressures (Energies)****Energy**

E <sub>max</sub>	=	30.0 Joule
E <sub>K</sub>	=	32.1 Joule
E <sub>E</sub>	=	34.5 Joule

**Miscellaneous Dimensions**

Fe	=	
delta L	=	

**CHAMBER MINI****Lengths**

L1	=	
L2	=	
L3 <sup>1)</sup>	=	6.70

**Breech**

R <sup>1)</sup>	=	1.30
R1	=	6.13
R2	=	
R3	=	
r	=	

**Powder Chamber**

E	=	
P1 <sup>1)</sup>	=	4.70
P2	=	

**Junction Cone**

α	=	
S	=	
r1 max	=	
r2	=	

**Collar**

H1	=	
H2 <sup>1)</sup>	=	4.58

**Commencement of Rifling**

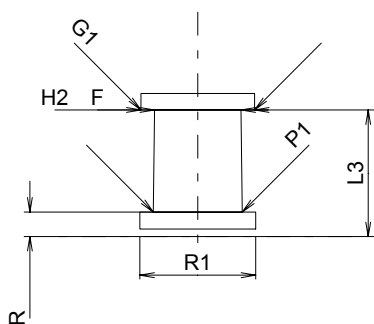
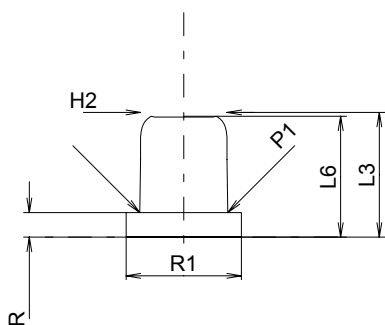
G1 <sup>2)*</sup>	=	6.00
G	=	
α1	=	180°
h	=	
s	=	
i	=	
w	=	

**Barrel**

F <sup>2)*</sup>	=	6.00
Z	=	6.00

**Grooves**

b	=	
N	=	
u	=	
Q <sup>2)</sup>	=	28.27 mm <sup>2</sup>



Scale 2.5:1

Dimensions in << mm >>  
Dimensions and Tolerances for Proof Barrels  
see Appendix CR 5.

Notes: 1) Check for safety reasons  
2) Valid only for Proof Barrels  
\* Basic dimensions