

**C.I.P.****35 R Blanc**

TAB. VIII

Datum 92-03-12

Revision 94-03-01

Ursprungsland: DE

**PATRONE MAXI****Längen**

|                  |   |       |
|------------------|---|-------|
| L1               | = |       |
| L2 *             | = | 25.30 |
| L3 <sup>1)</sup> | = | 25.80 |
| L4               | = |       |
| L5               | = |       |
| L6 <sup>1)</sup> | = | 26.00 |

**Hülsenboden**

|       |   |       |
|-------|---|-------|
| R     | = | 1.30  |
| R1    | = | 10.90 |
| R3    | = |       |
| E     | = |       |
| E1    | = |       |
| e min | = |       |
| δ     | = |       |
| f     | = | 0.40  |
| β     | = | 45°   |

**Pulverkammer**

|    |   |      |
|----|---|------|
| P1 | = | 9.50 |
| P2 | = |      |

**Schulterkonus**

|        |   |  |
|--------|---|--|
| α      | = |  |
| S      | = |  |
| r1 min | = |  |
| r2     | = |  |

**Hülsenhals**

|                  |   |      |
|------------------|---|------|
| H1               | = |      |
| H2 <sup>1)</sup> | = | 9.50 |

**Geschoß**

|      |   |  |
|------|---|--|
| G1   | = |  |
| G2   | = |  |
| F    | = |  |
| L3+G | = |  |

**Drücke (Energien)****Mech. elektr. Wandler**

|      |   |         |
|------|---|---------|
| Pmax | = | 450 bar |
| PK   | = | 518 bar |
| PE   | = | 585 bar |
| M    | = | 8.50    |

**Verschiedene Daten**

|         |   |  |
|---------|---|--|
| Fe      | = |  |
| delta L | = |  |

**PATRONENLAGER MINI****Längen**

|                  |   |       |
|------------------|---|-------|
| L1               | = |       |
| L2               | = |       |
| L3 <sup>1)</sup> | = | 26.00 |

**Stoßboden**

|                 |   |       |       |
|-----------------|---|-------|-------|
| R <sup>1)</sup> | = | 1.30  | +0.10 |
| R1              | = | 11.00 |       |
| R2              | = |       |       |
| R3              | = |       |       |
| r               | = |       |       |

**Pulverkammer**

|                  |   |      |
|------------------|---|------|
| E                | = |      |
| P1 <sup>1)</sup> | = | 9.55 |
| P2               | = |      |

**Schulterkonus**

|        |   |  |
|--------|---|--|
| α      | = |  |
| S      | = |  |
| r1 max | = |  |
| r2     | = |  |

**Hülsenhals**

|                  |   |      |
|------------------|---|------|
| H1               | = |      |
| H2 <sup>1)</sup> | = | 9.55 |

**Übergang**

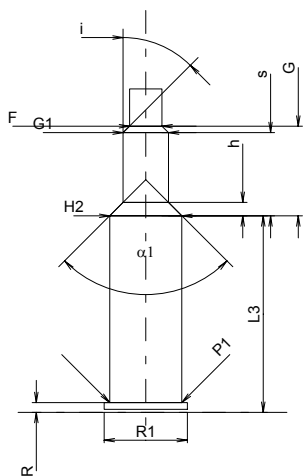
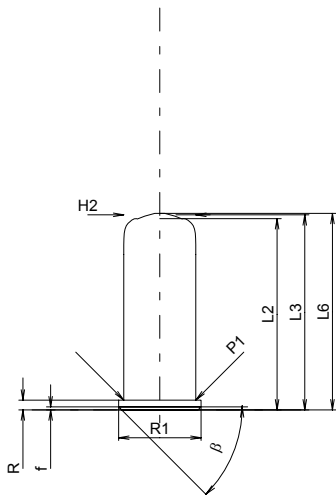
|                   |   |       |
|-------------------|---|-------|
| G1 <sup>2)*</sup> | = | 6.00  |
| G <sup>2)*</sup>  | = | 11.85 |
| α1                | = | 90°   |
| h                 | = | 1.77  |
| s *               | = | 11.00 |
| i                 | = | 45°   |
| w                 | = |       |

**Lauf**

|                  |   |      |
|------------------|---|------|
| F <sup>2)*</sup> | = | 4.30 |
| Z                | = | 4.30 |

**Züge**

|                 |   |                       |
|-----------------|---|-----------------------|
| b               | = |                       |
| N               | = |                       |
| u               | = |                       |
| Q <sup>2)</sup> | = | 14.52 mm <sup>2</sup> |



Maßstab 1:1

Maße in << mm >>  
Maße und Toleranzen für Messläufe  
siehe Anhang CR 5.

Bemerkungen: 1) Kontrolle aus Sicherheitsgründen  
2) Gilt nur für Messläufe  
\* Grundmaße