

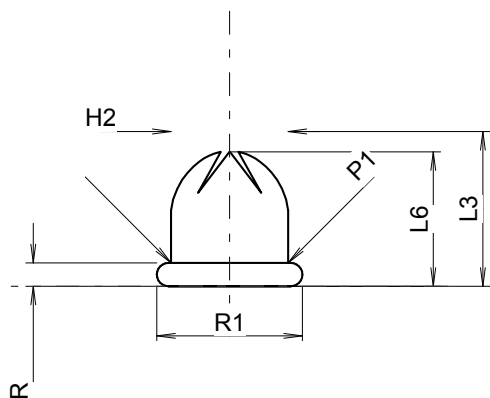
**C.I.P.****6mm Flobert Blanc**

TAB. VIII

Datum 91-08-02

Revision 08-04-15

Ursprungsland: FR

**PATRONE MAXI****Längen**

|                  |   |      |
|------------------|---|------|
| L1               | = |      |
| L2               | = |      |
| L3 <sup>1)</sup> | = | 7.60 |
| L4               | = |      |
| L5               | = |      |
| L6 <sup>1)</sup> | = | 6.60 |

**Hülsenboden**

|       |   |      |
|-------|---|------|
| R     | = | 1.15 |
| R1    | = | 7.15 |
| R3    | = |      |
| E     | = |      |
| E1    | = |      |
| e min | = |      |
| δ     | = |      |
| f     | = |      |
| β     | = |      |

**Pulverkammer**

|                  |   |      |
|------------------|---|------|
| P1 <sup>1)</sup> | = | 5.75 |
| P2               | = |      |

**Schulterkonus**

|        |   |  |
|--------|---|--|
| α      | = |  |
| S      | = |  |
| r1 min | = |  |
| r2     | = |  |

**Hülsenhals**

|                  |   |      |
|------------------|---|------|
| H1               | = |      |
| H2 <sup>1)</sup> | = | 5.75 |

**Geschoss**

|      |   |  |
|------|---|--|
| G1   | = |  |
| G2   | = |  |
| F    | = |  |
| L3+G | = |  |

**Drücke (Energien)****Energie**

|                  |   |            |
|------------------|---|------------|
| E <sub>max</sub> | = | 42.0 Joule |
| E <sub>K</sub>   | = | 44.9 Joule |
| E <sub>E</sub>   | = | 46.2 Joule |

**Verschiedene Daten**

|         |   |  |
|---------|---|--|
| Fe      | = |  |
| delta L | = |  |

**PATRONENLAGER MINI****Längen**

|                  |   |      |
|------------------|---|------|
| L1               | = |      |
| L2               | = |      |
| L3 <sup>1)</sup> | = | 7.80 |

**Stoßboden**

|                 |   |      |
|-----------------|---|------|
| R <sup>1)</sup> | = | 1.15 |
| R1              | = | 7.30 |
| R2              | = |      |
| R3              | = |      |
| r               | = |      |

**Pulverkammer**

|                  |   |      |
|------------------|---|------|
| E                | = |      |
| P1 <sup>1)</sup> | = | 5.76 |
| P2               | = |      |

**Schulterkonus**

|        |   |  |
|--------|---|--|
| α      | = |  |
| S      | = |  |
| r1 max | = |  |
| r2     | = |  |

**Hülsenhals**

|                  |   |      |
|------------------|---|------|
| H1               | = |      |
| H2 <sup>1)</sup> | = | 5.76 |

**Geschossübergang**

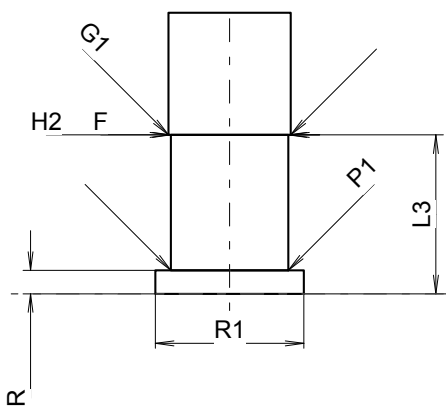
|                   |   |      |
|-------------------|---|------|
| G1 <sup>2)*</sup> | = | 6.00 |
| G                 | = |      |
| α <sub>1</sub>    | = | 180° |
| h                 | = |      |
| s                 | = |      |
| i                 | = |      |
| w                 | = |      |

**Lauf**

|                  |   |      |
|------------------|---|------|
| F <sup>2)*</sup> | = | 6.00 |
| Z                | = | 6.00 |

**Züge**

|                 |   |                       |
|-----------------|---|-----------------------|
| b               | = |                       |
| N               | = |                       |
| u               | = |                       |
| Q <sup>2)</sup> | = | 28.27 mm <sup>2</sup> |



Maßstab 2.69:1

Maße in << mm >>  
Maße und Toleranzen für Messläufe  
siehe Anhang CR 5.

Bemerkungen: 1) Kontrolle aus Sicherheitsgründen  
2) Toleranz für Messlauf  
\* Grundmaße