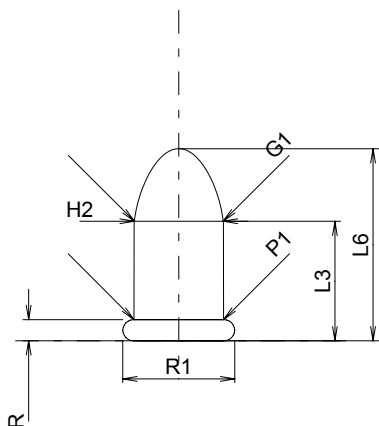


**C.I.P.****6mm Flobert à balle DC**TAB. **V**Date **84-06-14**Revision **00-06-07**

Country of Origin: FR

**CARTRIDGE MAXI****Lengths**

L1	=	
L2	=	
L3 <sup>1)</sup>	=	7.90
L4	=	
L5	=	
L6	=	12.70

**Case Head**

R <sup>1)</sup>	=	1.40	-0.18
R1	=	7.40	
R3	=		
E	=		
E1	=		
e min	=		
δ	=		
f	=		
β	=		

**Powder Chamber**

P1	=	5.92
P2	=	

**Junction Cone**

α	=	
S	=	
r1 min	=	
r2	=	

**Collar**

H1	=	
H2 <sup>1)</sup>	=	5.90

**Projectile**

G1 <sup>1)</sup>	=	5.87
G2	=	
F	=	
L3+G <sup>1)</sup>	=	10.00

**Pressures (Energies)****Energy**

E <sub>max</sub>	=	70.0 Joule
E <sub>K</sub>	=	74.9 Joule
E <sub>E</sub>	=	77.0 Joule

**Miscellaneous Dimensions**

Fe <sup>1)</sup>	=	0.20
delta L	=	

**CHAMBER MINI****Lengths**

L1	=	
L2	=	
L3 <sup>1)</sup>	=	7.90

**Breech**

R <sup>1)</sup>	=	1.40
R1	=	7.55
R2	=	
R3	=	
r	=	

**Powder Chamber**

E	=	
P1 <sup>1)</sup>	=	5.93
P2	=	

**Junction Cone**

α	=	
S	=	
r1 max	=	
r2	=	

**Collar**

H1	=	
H2 <sup>1)</sup>	=	5.90

**Commencement of Rifling**

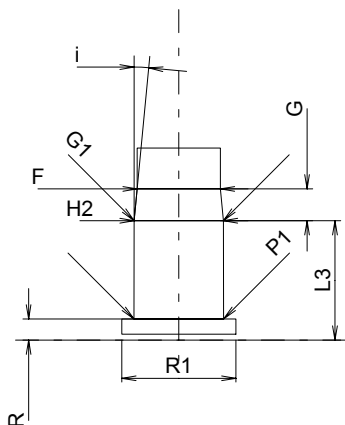
G1 <sup>*</sup>	=	5.90
G <sup>*</sup>	=	2.10
α1	=	
h	=	
s	=	
i	=	5°26'25"
w	=	

**Barrel**

F <sup>1)</sup> *	=	5.50
Z <sup>1)</sup>	=	5.50

**Grooves**

b	=	
N	=	
u	=	
Q	=	23.76 mm <sup>2</sup>



Scale 2:1

Dimensions in << mm >>  
Dimensions and Tolerances for Proof Barrels  
see Appendix CR 2.

Notes: 1) Check for safety reasons  
\* Basic dimensions