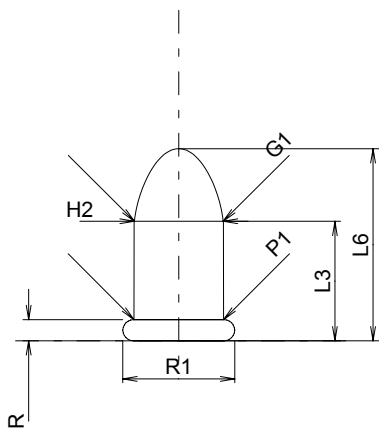


C.I.P.**6mm Flobert à balle**TAB. **V**Date **84-06-14**Revision **00-06-07**

Country of Origin: FR

**CARTRIDGE MAXI****Lengths**

L1	=	
L2	=	
L3 ¹⁾	=	7.90
L4	=	
L5	=	
L6	=	12.70

Case Head

R ¹⁾	=	1.40	-0.18
R1	=	7.40	
R3	=		
E	=		
E1	=		
e min	=		
δ	=		
f	=		
β	=		

Powder Chamber

P1	=	5.92
P2	=	

Junction Cone

α	=	
S	=	
r1 min	=	
r2	=	

Collar

H1	=	
H2 ¹⁾	=	5.90

Projectile

G1 ¹⁾	=	5.87
G2	=	
F	=	
L3+G ¹⁾	=	10.00

Pressures (Energies)**Energy**

E _{max}	=	70.0 Joule
E _K	=	74.9 Joule
E _E	=	77.0 Joule

Miscellaneous Dimensions

Fe ¹⁾	=	0.20
delta L	=	

CHAMBER MINI**Lengths**

L1	=	
L2	=	
L3 ¹⁾	=	7.90

Breech

R ¹⁾	=	1.40
R1	=	7.55
R2	=	
R3	=	
r	=	

Powder Chamber

E	=	
P1 ¹⁾	=	5.93
P2	=	

Junction Cone

α	=	
S	=	
r1 max	=	
r2	=	

Collar

H1	=	
H2 ¹⁾	=	5.90

Commencement of Rifling

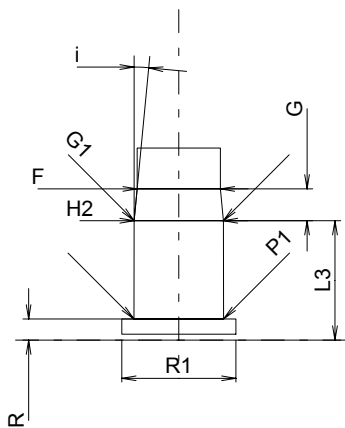
G1*	=	5.90
G*	=	2.10
α1	=	
h	=	
s	=	
i	=	5°26'25"
w	=	

Barrel

F ¹⁾ *	=	5.50
Z ¹⁾	=	5.50

Grooves

b	=	
N	=	
u	=	
Q	=	23.76 mm ²



Scale 2:1

Dimensions in << mm >>
Dimensions and Tolerances for Proof Barrels
see Appendix CR 2.

Notes: 1) Check for safety reasons
* Basic dimensions