

# C.I.P.

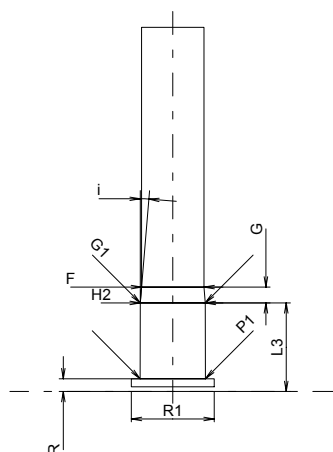
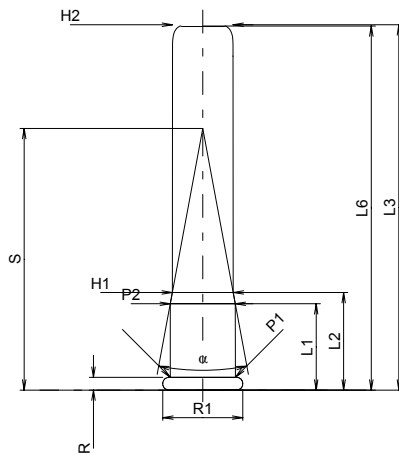
## 5,6 mm Flobert à plombs DC

Country of Origin: IT/DE

TAB. V

Date 84-06-14

Revision 00-06-07



Scale 1.5:1

Dimensions in << mm >>  
Dimensions and Tolerances for Proof Barrels  
see Appendix CR 2.

### CARTRIDGE MAXI

#### Lengths

L1 *	=	7.60
L2 *	=	8.60
L3 <sup>1)</sup>	=	32.20
L4	=	
L5	=	
L6	=	32.10

#### Case Head

R <sup>1)</sup>	=	1.12	-0.18
R1	=	7.06	
R3	=		
E	=		
E1	=		
e min	=		
delta	=		
f	=		
beta	=		

#### Powder Chamber

P1	=	5.74
P2 *	=	5.72

#### Junction Cone

alpha	=	20°57'45"
S	=	23.06
r1 min	=	
r2	=	

#### Collar

H1 *	=	5.35
H2 <sup>1)</sup>	=	5.33

#### Projectile

G1	=	
G2	=	
F	=	5.50
L1+G <sup>1)</sup>	=	9.00

#### Pressures (Energies)

##### Energy

E <sub>max</sub>	=	100 Joule
E <sub>K</sub>	=	107 Joule
E <sub>E</sub>	=	110 Joule

#### Miscellaneous Dimensions

Fe <sup>1)</sup>	=	0.20
delta L	=	

### CHAMBER MINI

#### Lengths

L1	=	
L2	=	
L3 <sup>1)</sup>	=	7.80

#### Breech

R <sup>1)</sup>	=	1.12
R1	=	7.30
R2	=	
R3	=	
r	=	

#### Powder Chamber

E	=	
P1 <sup>1)</sup>	=	5.76
P2	=	

#### Junction Cone

alpha	=	
S	=	
r1 max	=	
r2	=	

#### Collar

H1	=	
H2 <sup>1)</sup>	=	5.73

#### Commencement of Rifling

G1 *	=	5.73
G *	=	1.40
alpha1	=	
h	=	
s	=	
i	=	4°41'44"
w	=	

#### Barrel

F <sup>1)</sup> *	=	5.50
Z <sup>1)</sup>	=	5.50

#### Grooves

b	=	
N	=	
u	=	
Q	=	23.76 mm <sup>2</sup>

Notes: 1) Check for safety reasons  
\* Basic dimensions