

C.I.P.**5,6 mm Flobert à plombs SC**

Country of Origin: IT/DE

TAB.

V

Date

84-06-14

Revision

00-06-07

CARTRIDGE MAXI**Lengths**

L1 *	=	7.60
L2 *	=	8.60
L3 ¹⁾	=	22.30
L4	=	
L5	=	
L6	=	22.10

Case Head

R ¹⁾	=	1.12	-0.18
R1	=	7.06	
R3	=		
E	=		
E1	=		
e min	=		
δ	=		
f	=		
β	=		

Powder Chamber

P1	=	5.74
P2 *	=	5.72

Junction Cone

α	=	20°57'45"
S	=	23.06
r1 min	=	
r2	=	

Collar

H1 *	=	5.35
H2 ¹⁾	=	5.33

Projectile

G1	=	
G2	=	
F	=	5.50
L1+G ¹⁾	=	9.00

Pressures (Energies)**Energy**

E _{max}	=	100 Joule
E _K	=	107 Joule
E _E	=	110 Joule

Miscellaneous Dimensions

Fe ¹⁾	=	0.20
delta L	=	

CHAMBER MINI**Lengths**

L1	=	
L2	=	
L3 ¹⁾	=	7.80

Breech

R ¹⁾	=	1.12
R1	=	7.30
R2	=	
R3	=	
r	=	

Powder Chamber

E	=	
P1 ¹⁾	=	5.76
P2	=	

Junction Cone

α	=	
S	=	
r1 max	=	
r2	=	

Collar

H1	=	
H2 ¹⁾	=	5.73

Commencement of Rifling

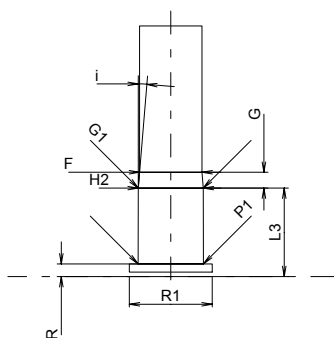
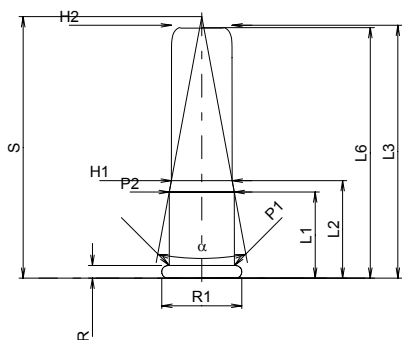
G1 *	=	5.73
G *	=	1.40
α1	=	
h	=	
s	=	
i	=	4°41'44"
w	=	

Barrel

F ¹⁾ *	=	5.50
Z ¹⁾	=	5.50

Grooves

b	=	
N	=	
u	=	
Q	=	23.76 mm ²



Scale 1.5:1

Dimensions in << mm >>
Dimensions and Tolerances for Proof Barrels
see Appendix CR 2.

Notes: 1) Check for safety reasons
* Basic dimensions