

C.I.P.**5,6mm (22) Flobert à balle**

TAB.

V

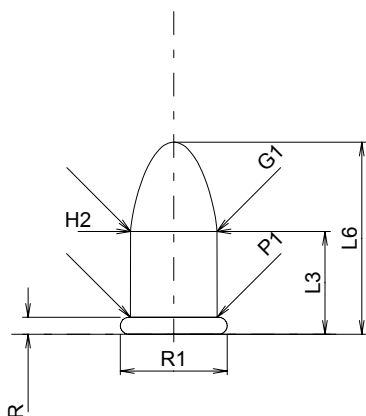
Date

84-06-14

Revision

00-06-07

Country of Origin: IT/DE

**CARTRIDGE MAXI****Lengths**

L1	=	
L2	=	
L3 ¹⁾	=	6.80
L4	=	
L5	=	
L6	=	12.70

Case Head

R ¹⁾	=	1.12	-0.18
R1	=	7.06	
R3	=		
E	=		
E1	=		
e min	=		
δ	=		
f	=		
β	=		

Powder Chamber

P1	=	5.74
P2	=	

Junction Cone

α	=	
S	=	
r1 min	=	
r2	=	

Collar

H1	=	
H2 ¹⁾	=	5.73

Projectile

G1 ¹⁾	=	5.71
G2	=	
F	=	
L3+G ¹⁾	=	8.81

Pressures (Energies)**Energy**

E _{max}	=	70.0 Joule
E _K	=	74.9 Joule
E _E	=	77.0 Joule

Miscellaneous Dimensions

Fe ¹⁾	=	0.20
delta L	=	

CHAMBER MINI**Lengths**

L1	=	
L2	=	
L3 ¹⁾	=	7.80

Breech

R ¹⁾	=	1.12
R1	=	7.30
R2	=	
R3	=	
r	=	

Powder Chamber

E	=	
P1 ¹⁾	=	5.76
P2	=	

Junction Cone

α	=	
S	=	
r1 max	=	
r2	=	

Collar

H1	=	
H2 ¹⁾	=	5.73

Commencement of Rifling

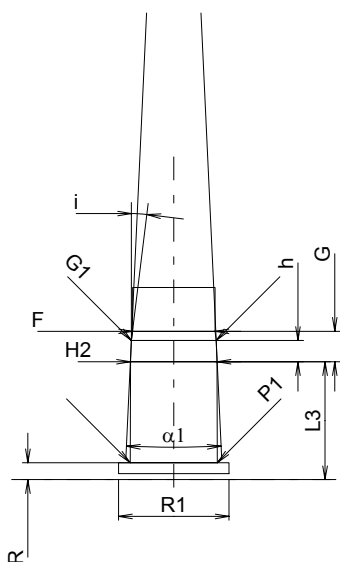
G1 [*]	=	5.60
G [*]	=	2.01
α1	=	5°18'58"
h [*]	=	1.40
s	=	
i	=	7°00'33"
w	=	

Barrel

F ^{1)*}	=	5.45
Z ¹⁾	=	5.60

Grooves

b	=	1.25
N	=	6
u	=	450.00
Q	=	23.90 mm ²



Scale 2:1

Dimensions in << mm >>
Dimensions and Tolerances for Proof Barrels
see Appendix CR 2.

Notes: 1) Check for safety reasons
* Basic dimensions