

**C.I.P.****9mm Flobert à plombs Carton**

Ursprungsland: FR

TAB.

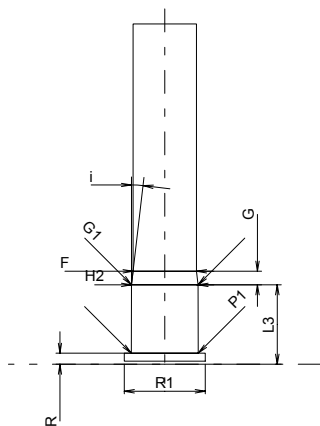
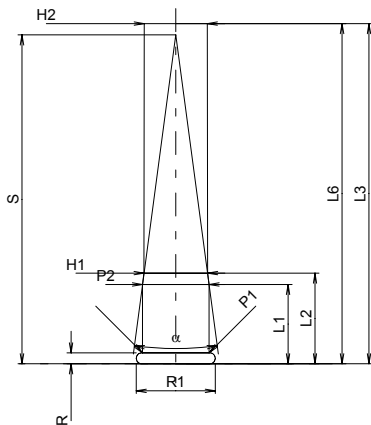
V

Datum

84-06-14

Revision

00-06-07

**PATRONE MAXI****Längen**

|                  |   |       |
|------------------|---|-------|
| L1 *             | = | 10.50 |
| L2 *             | = | 12.00 |
| L3 <sup>1)</sup> | = | 45.00 |
| L4               | = |       |
| L5               | = |       |
| L6               | = | 45.00 |

**Hülsenboden**

|                 |   |       |       |
|-----------------|---|-------|-------|
| R <sup>1)</sup> | = | 1.45  | -0.18 |
| R1              | = | 10.45 |       |
| R3              | = |       |       |
| E               | = |       |       |
| E1              | = |       |       |
| e min           | = |       |       |
| δ               | = |       |       |
| f               | = |       |       |
| β               | = |       |       |

**Pulverkammer**

|      |   |      |
|------|---|------|
| P1   | = | 8.80 |
| P2 * | = | 8.80 |

**Schulterkonus**

|        |   |           |
|--------|---|-----------|
| α      | = | 15°11'24" |
| S      | = | 43.50     |
| r1 min | = |           |
| r2     | = |           |

**Hülsenhals**

|                  |   |      |
|------------------|---|------|
| H1 *             | = | 8.40 |
| H2 <sup>1)</sup> | = | 8.35 |

**Geschoß**

|                    |   |       |
|--------------------|---|-------|
| G1                 | = |       |
| G2                 | = |       |
| F                  | = |       |
| L1+G <sup>1)</sup> | = | 12.30 |

**Drücke (Energien)****Crusher-Methode**

|      |   |          |
|------|---|----------|
| Pmax | = | 900 bar  |
| PK   | = | 1035 bar |
| PE   | = | 1170 bar |
| M    | = | 12.50    |

**Verschiedene Daten**

|                  |   |      |
|------------------|---|------|
| Fe <sup>1)</sup> | = | 0.20 |
| delta L          | = |      |

**PATRONENLAGER MINI****Längen**

|                  |   |       |
|------------------|---|-------|
| L1               | = |       |
| L2               | = |       |
| L3 <sup>1)</sup> | = | 10.50 |

**Stoßboden**

|                 |   |       |
|-----------------|---|-------|
| R <sup>1)</sup> | = | 1.45  |
| R1              | = | 10.70 |
| R2              | = |       |
| R3              | = |       |
| r               | = |       |

**Pulverkammer**

|                  |   |      |
|------------------|---|------|
| E                | = |      |
| P1 <sup>1)</sup> | = | 8.85 |
| P2               | = |      |

**Schulterkonus**

|        |   |  |
|--------|---|--|
| α      | = |  |
| S      | = |  |
| r1 max | = |  |
| r2     | = |  |

**Hülsenhals**

|                  |   |      |
|------------------|---|------|
| H1               | = |      |
| H2 <sup>1)</sup> | = | 8.80 |

**Übergang**

|      |   |          |
|------|---|----------|
| G1 * | = | 8.80     |
| G *  | = | 1.80     |
| α1   | = |          |
| h    | = |          |
| s    | = |          |
| i    | = | 6°39'15" |
| w    | = |          |

**Lauf**

|                   |   |      |
|-------------------|---|------|
| F <sup>1)</sup> * | = | 8.38 |
| Z <sup>1)</sup>   | = | 8.38 |

**Züge**

|   |   |                       |
|---|---|-----------------------|
| b | = |                       |
| N | = |                       |
| u | = |                       |
| Q | = | 55.15 mm <sup>2</sup> |

Maßstab 1:1

Maße in << mm >>  
Maße und Toleranzen für Messläufe  
siehe Anhang CR 2.

Bemerkungen: 1) Kontrolle aus Sicherheitsgründen  
\* Grundmaße