

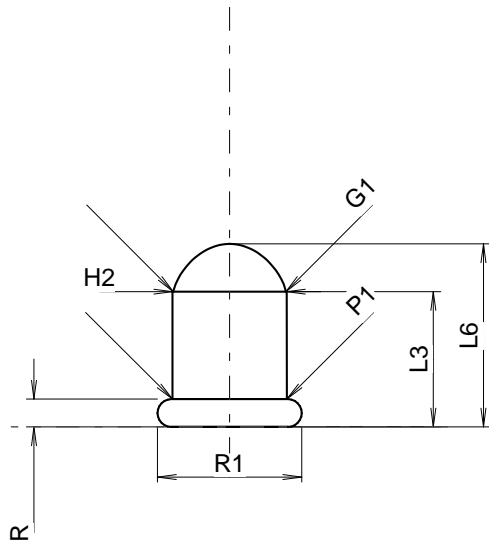
**C.I.P.****6mm ME Flobert court**

Country of Origin: DE

TAB. V

Date 96-01-24

Revision 06-05-24

**CARTRIDGE MAXI****Lengths**

L1	=	
L2	=	
L3 <sup>1)</sup>	=	6.80
L4	=	
L5	=	
L6	=	9.20

**Case Head**

R <sup>1)</sup>	=	1.40	-0.18
R1	=	7.25	
R3	=		
E	=		
E1	=		
e min	=		
δ	=		
f	=		
β	=		

**Powder Chamber**

P1	=	5.75
P2	=	

**Junction Cone**

α	=	
S	=	
r1 min	=	
r2	=	

**Collar**

H1	=	
H2 <sup>1)</sup>	=	5.73

**Projectile**

G1 <sup>1)</sup>	=	5.65
G2	=	
F	=	
L3+G <sup>1)</sup>	=	7.60

**Pressures (Energies)****Energy**

E <sub>max</sub>	=	45.0 Joule
E <sub>K</sub>	=	48.2 Joule
E <sub>E</sub>	=	49.5 Joule

**Miscellaneous Dimensions**

Fe	=	0.20
delta L	=	

**CHAMBER MINI****Lengths**

L1	=	
L2	=	
L3 <sup>1)</sup>	=	8.40

**Breech**

R <sup>1)</sup>	=	1.40
R1	=	7.55
R2	=	
R3	=	
r	=	

**Powder Chamber**

E	=	
P1 <sup>1)</sup>	=	5.76
P2	=	

**Junction Cone**

α	=	
S	=	
r1 max	=	
r2	=	

**Collar**

H1	=	
H2 <sup>1)</sup>	=	5.73

**Commencement of Rifling**

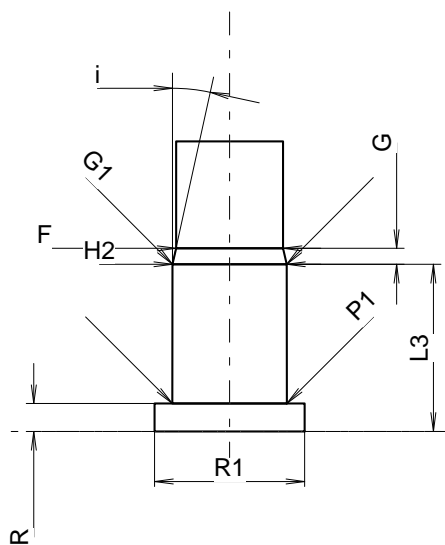
G1 *	=	5.73
G *	=	0.80
α <sub>l</sub>	=	
h	=	
s	=	
i	=	12°20'24"
w	=	

**Barrel**

F <sup>1)</sup> *	=	5.38
Z <sup>1)</sup>	=	5.58

**Grooves**

b	=	2.16
N	=	6
u	=	406.00
Q	=	24.06 mm <sup>2</sup>



Scale 2.63:1

Dimensions in << mm >>  
 Dimensions and Tolerances for Proof Barrels  
 see Appendix CR 2.

Notes: 1) Check for safety reasons  
 \* Basic dimensions