

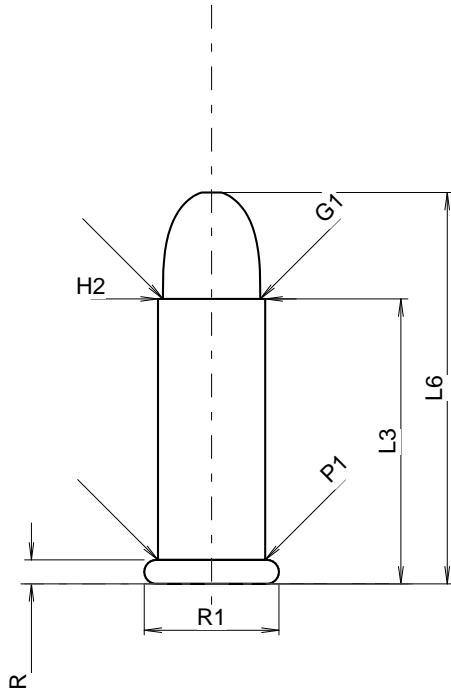
**C.I.P.****22 Win. Auto**

Country of Origin: US

TAB. V

Date 84-06-14

Revision 00-06-07

**CARTRIDGE MAXI****Lengths**

L1	=	
L2	=	
L3 <sup>1)</sup>	=	16.92
L4	=	
L5	=	
L6	=	23.24

**Case Head**

R <sup>1)</sup>	=	1.42	-0.18
R1	=	8.00	
R3	=		
E	=		
E1	=		
e min	=		
δ	=		
f	=		
β	=		

**Powder Chamber**

P1	=	6.36
P2	=	

**Junction Cone**

α	=	
S	=	
r1 min	=	
r2	=	

**Collar**

H1	=	
H2 <sup>1)</sup>	=	6.36

**Projectile**

G1 <sup>1)</sup>	=	5.78
G2	=	
F	=	
L3+G <sup>1)</sup>	=	21.65

**Pressures (Energies)****Method Crusher**

Pmax	=	1000 bar
PK	=	1150 bar
PE	=	1300 bar
M	=	18.72

**Miscellaneous Dimensions**

Fe <sup>1)</sup>	=	0.20
delta L	=	

**CHAMBER MINI****Lengths**

L1	=	
L2	=	
L3 <sup>1)</sup>	=	17.32

**Breech**

R <sup>1)</sup>	=	1.42
R1	=	8.26
R2	=	
R3	=	
r	=	0.13

**Powder Chamber**

E	=	
P1 <sup>1)</sup>	=	6.55
P2	=	

**Junction Cone**

α	=	
S	=	
r1 max	=	
r2	=	

**Collar**

H1	=	
H2 <sup>1)</sup>	=	6.40

**Commencement of Rifling**

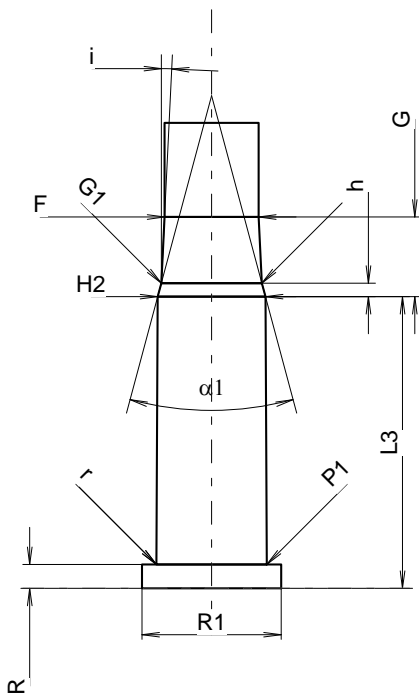
G1 *	=	5.97
G	=	4.73
α1 *	=	30°
h	=	0.80
s	=	
i *	=	2°46'
w	=	

**Barrel**

F <sup>1)</sup> *	=	5.59
Z <sup>1)</sup>	=	5.74

**Grooves**

b	=	1.70
N	=	6
u	=	356.00
Q	=	25.32 mm <sup>2</sup>



Scale 2.23:1

Dimensions in << mm >>  
 Dimensions and Tolerances for Proof Barrels  
 see Appendix CR 2.

Notes: 1) Check for safety reasons  
 \* Basic dimensions