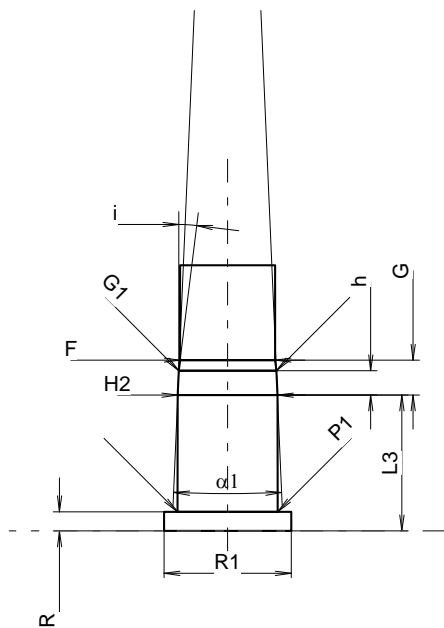
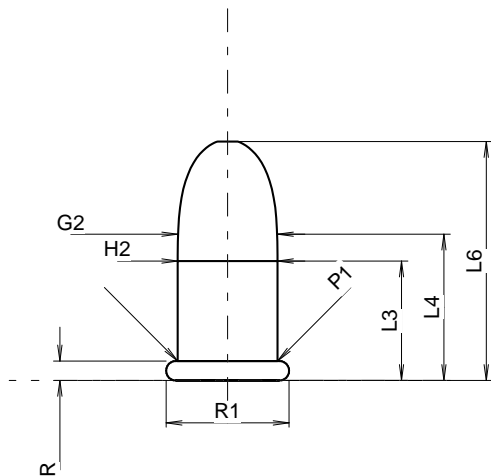


# C.I.P.

## 22 CB Cap

Country of Origin: US

TAB.	V
Date	84-06-13
Revision	00-06-07



Scale 2.3:1

### CARTRIDGE MAXI

#### Lengths

L1	=	
L2	=	
L3 <sup>1)</sup>	=	6.86
L4	=	8.40
L5	=	
L6	=	13.72

#### Case Head

R <sup>1)</sup>	=	1.12	-0.18
R1	=	7.06	
R3	=		
E	=		
E1	=		
e min	=		
delta	=		
f	=		
beta	=		

#### Powder Chamber

P1	=	5.72
P2	=	

#### Junction Cone

alpha	=	
S	=	
r1 min	=	
r2	=	

#### Collar

H1	=	
H2 <sup>1)</sup>	=	5.72

#### Projectile

G1 <sup>1)</sup>	=	5.72
G2	=	5.72
F	=	
L3+G <sup>1)</sup>	=	8.87

#### Pressures (Energies)

#### Energy

E <sub>max</sub>	=	70.0 Joule
E <sub>K</sub>	=	74.9 Joule
E <sub>E</sub>	=	77.0 Joule

#### Miscellaneous Dimensions

Fe <sup>1)</sup>	=	0.20
delta L	=	

### CHAMBER MINI

#### Lengths

L1	=	
L2	=	
L3 <sup>1)</sup>	=	7.80

#### Breech

R <sup>1)</sup>	=	1.10
R1	=	7.30
R2	=	
R3	=	
r	=	

#### Powder Chamber

E	=	
P1 <sup>1)</sup>	=	5.76
P2	=	

#### Junction Cone

alpha	=	
S	=	
r1 max	=	
r2	=	

#### Collar

H1	=	
H2 <sup>1)</sup>	=	5.72

#### Commencement of Rifling

G1 *	=	5.60
G	=	2.01
alpha 1 *	=	4°54'28"
h	=	1.40
s	=	
i *	=	7°00'33"
w	=	

#### Barrel

F <sup>1)</sup> *	=	5.45
Z <sup>1)</sup>	=	5.60

#### Grooves

b	=	1.25
N	=	6
u	=	450.00
Q	=	23.90 mm <sup>2</sup>

Notes: 1) Check for safety reasons  
\* Basic dimensions

Dimensions in << mm >>  
Dimensions and Tolerances for Proof Barrels  
see Appendix CR 2.