

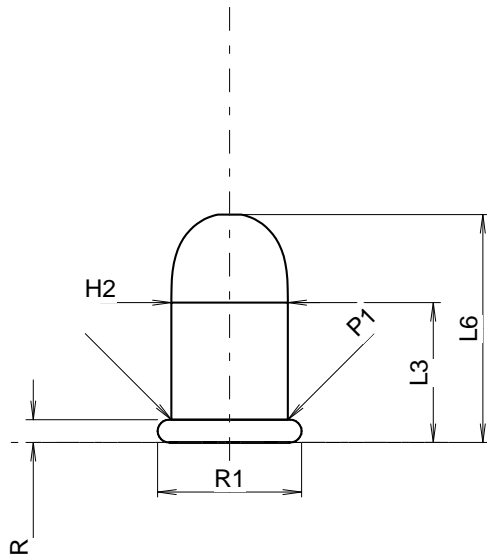
C.I.P.**22 BB Cap**

Country of Origin: US

TAB. V

Date 84-06-13

Revision 00-06-07

**CARTRIDGE MAXI****Lengths**

L1	=	
L2	=	
L3 ¹⁾	=	6.86
L4	=	
L5	=	
L6	=	11.18

Case Head

R ¹⁾	=	1.12	-0.18
R1	=	7.06	
R3	=		
E	=		
E1	=		
e min	=		
δ	=		
f	=		
β	=		

Powder Chamber

P1	=	5.72
P2	=	

Junction Cone

α	=	
S	=	
r1 min	=	
r2	=	

Collar

H1	=	
H2 ¹⁾	=	5.72

Projectile

G1 ¹⁾	=	5.72
G2	=	
F	=	
L3+G ¹⁾	=	8.87

Pressures (Energies)**Energy**

E _{max}	=	70.0 Joule
E _K	=	74.9 Joule
E _E	=	77.0 Joule

Miscellaneous Dimensions

Fe ¹⁾	=	0.20
delta L	=	

CHAMBER MINI**Lengths**

L1	=	
L2	=	
L3 ¹⁾	=	7.80

Breech

R ¹⁾	=	1.10
R1	=	7.30
R2	=	
R3	=	
r	=	

Powder Chamber

E	=	
P1 ¹⁾	=	5.76
P2	=	

Junction Cone

α	=	
S	=	
r1 max	=	
r2	=	

Collar

H1	=	
H2 ¹⁾	=	5.72

Commencement of Rifling

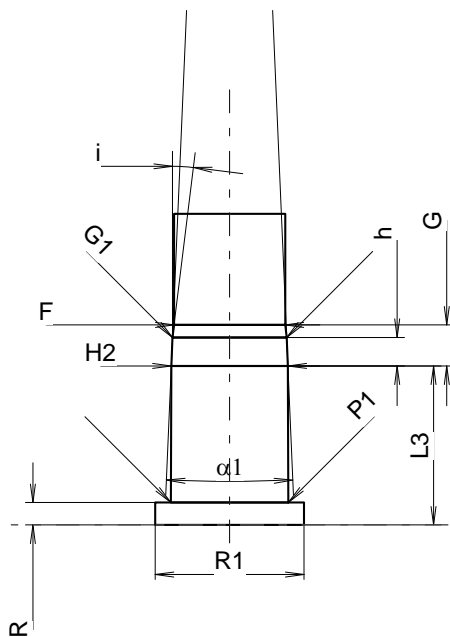
G1 *	=	5.60
G	=	2.01
α1 *	=	4°54'28"
h	=	1.40
s	=	
i *	=	7°00'33"
w	=	

Barrel

F ¹⁾ *	=	5.45
Z ¹⁾	=	5.60

Grooves

b	=	1.25
N	=	6
u	=	450.00
Q	=	23.90 mm ²



Scale 2.7:1

Dimensions in << mm >>
 Dimensions and Tolerances for Proof Barrels
 see Appendix CR 2.

Notes: 1) Check for safety reasons
 * Basic dimensions