

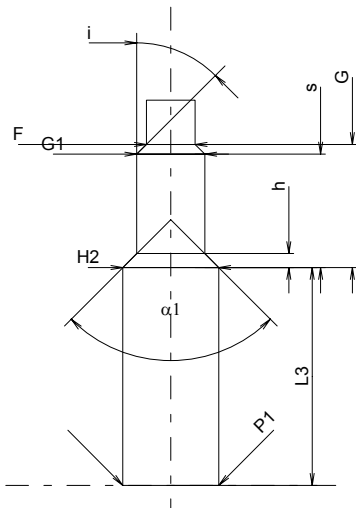
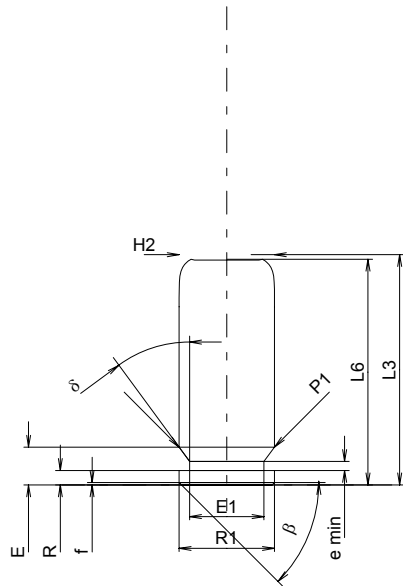
**C.I.P.****8 mm GR**

TAB. IX

Date 93-05-28

Country of Origin: DE

Revision 94-06-01



Scale 1.5:1

**CARTRIDGE MAXI****Lengths**

L1	=	
L2	=	
L3 <sup>1)</sup>	=	20.30
L4	=	
L5	=	
L6	=	19.90

**Case Head**

R <sup>1)</sup>	=	1.27
R1	=	8.40
R3	=	
E	=	3.33
E1	=	6.55
e min	=	0.80
$\delta$	=	30°
f	=	0.20
$\beta$	=	45°

**Powder Chamber**

P1 <sup>1)</sup>	=	8.40	-0.05
P2	=		

**Junction Cone**

$\alpha$	=	
S	=	
r1 min	=	
r2	=	

**Collar**

H1	=	
H2 <sup>1)</sup>	=	8.40

**Projectile**

G1	=	
G2	=	
F	=	
L3+G	=	

**Pressures (Energies)****Method Transducer**

Pmax	=	1200 bar
PK	=	1380 bar
PE	=	1560 bar
M	=	7.00

**Miscellaneous Dimensions**

Fe	=	
delta L	=	

**CHAMBER MINI****Lengths**

L1	=	
L2	=	
L3 <sup>1)</sup>	=	19.20

**Breech**

R	=	
R1	=	
R2	=	
R3	=	
r	=	

**Powder Chamber**

E	=	
P1 <sup>1)</sup>	=	8.45
P2	=	

**Junction Cone**

$\alpha$	=	
S	=	
r1 max	=	
r2	=	

**Collar**

H1	=	
H2 <sup>1)</sup>	=	8.45

**Commencement of Rifling**

G1 <sup>1)*</sup>	=	6.00
G <sup>1)*</sup>	=	10.85
$\alpha_1$	=	90°
h	=	1.23
s*	=	10.00
i <sup>1)</sup>	=	45°
w	=	

**Barrel**

F <sup>1)*</sup>	=	4.30
Z <sup>1)</sup>	=	4.30

**Grooves**

b	=	
N	=	
u	=	
Q	=	14.52 mm <sup>2</sup>

Dimensions in << mm >>  
Dimensions and Tolerances for Proof Barrels  
see Appendix CR 6.

Notes: 1) Check for safety reasons  
\* Basic dimensions