

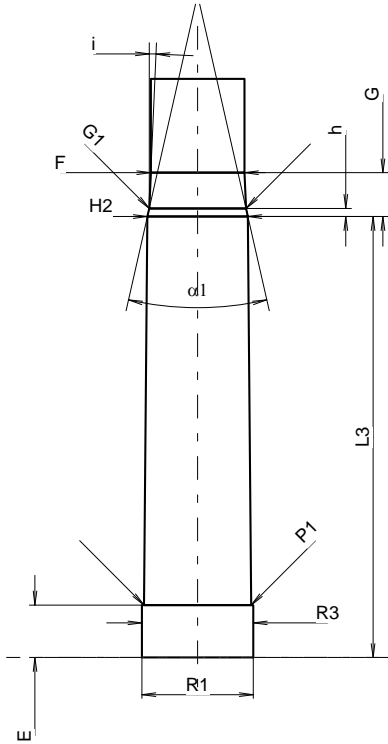
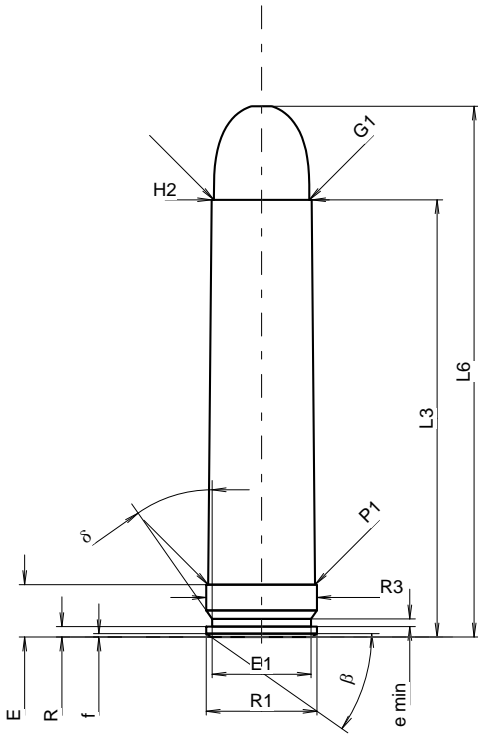
C.I.P.**450 Marlin**

TAB. III

Date 09-05-05

Country of Origin: US

Revision



Scale 1.08:1

CARTRIDGE MAXI**Lengths**

L1	=	
L2	=	
L3 ¹⁾	=	53.34
L4	=	
L5	=	
L6	=	64.76

Case Head

R	=	1.27
R1	=	13.51
R3	=	13.51
E ¹⁾	=	6.40
E1	=	12.07
e min	=	0.94
δ	=	35°
f	=	0.41
β	=	35°

Powder Chamber

P1	=	13.03
P2	=	

Junction Cone

α	=	
S	=	
r1 min	=	
r2	=	

Collar

H1	=	
H2 ¹⁾	=	12.21

Projectile

G1 ¹⁾	=	11.64
G2	=	
F	=	
L3+G ¹⁾	=	58.69

Pressures (Energies)**Method Transducer**

Pmax	=	3300 bar
PK	=	3795 bar
PE	=	4125 bar
M	=	25.00
EE	=	4850 Joule

Miscellaneous Dimensions

Fe ¹⁾⁵⁾	=	0.15
delta L	=	

CHAMBER MINI**Lengths**

L1	=	
L2	=	
L3 ¹⁾	=	53.79

Breech

R	=	
R1	=	13.59
R2	=	
R3	=	13.59
r	=	

Powder Chamber

E ¹⁾	=	6.40
P1 ¹⁾	=	13.07
P2	=	

Junction Cone

α	=	
S	=	
r1 max	=	
r2	=	

Collar

H1	=	
H2 ¹⁾	=	12.26

Commencement of Rifling

G1 ¹⁾ *	=	11.81
G ¹⁾	=	5.35
α_1	=	25°30'
h*	=	1.00
s	=	
i ¹⁾ *	=	2°30'
w	=	

Barrel

F ¹⁾ *	=	11.43
Z ¹⁾	=	11.58

Grooves

b	=	3.58
N	=	6
u	=	508.00
Q	=	104.25 mm ²

Dimensions in << mm >>
 Dimensions and Tolerances for Proof Barrels
 see Appendix CR 1.

Notes: 1) Check for safety reasons
 5) Headspace on Belt
 * Basic dimensions