

C.I.P.

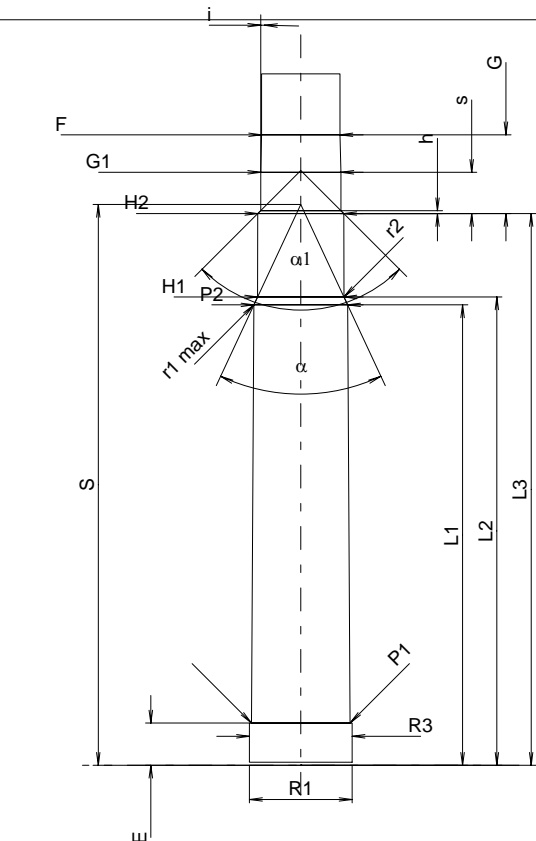
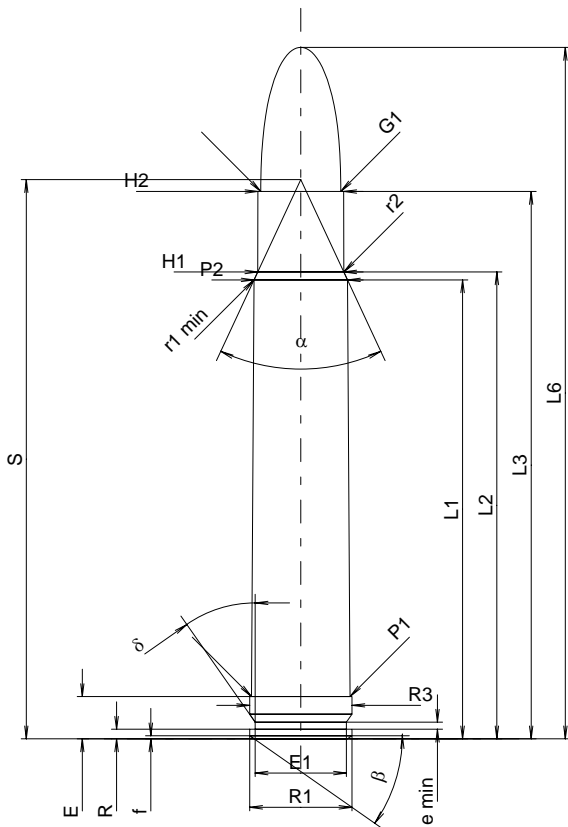
416 Rem. Mag.

Country of Origin: US

TAB. III

Date 89-09-10

Revision 04-05-18



Scale 1:1

CARTRIDGE MAXI

Lengths

L1	=	60.69
L2	=	61.74
L3 ¹⁾	=	72.39
L4	=	
L5	=	
L6	=	91.44

Case Head

R	=	1.27
R1	=	13.51
R3	=	13.51
E ¹⁾	=	5.59
E1	=	12.06
e min	=	0.94
delta	=	35°
f	=	0.41
beta	=	35°

Powder Chamber

P1	=	13.02
P2*	=	12.36

Junction Cone

alpha*	=	50°
S*	=	73.94
r1 min	=	1.02
r2	=	2.54

Collar

H1*	=	11.38
H2 ¹⁾	=	11.35

Projectile

G1 ¹⁾	=	10.57
G2	=	
F	=	
L3+G ¹⁾	=	82.81

Pressures (Energies)

Method Transducer

Pmax	=	4300 bar
PK	=	4945 bar
PE	=	5375 bar
M	=	25.00
EE	=	7245 Joule

Miscellaneous Dimensions

Fe ¹⁾	=	0.10
delta L	=	

CHAMBER MINI

Lengths

L1	=	60.88
L2	=	61.93
L3 ¹⁾	=	72.96

Breech

R	=	
R1	=	13.59
R2	=	
R3	=	13.59
r	=	

Powder Chamber

E ¹⁾	=	5.59
P1 ¹⁾	=	13.05
P2*	=	12.39

Junction Cone

alpha*	=	50°
S*	=	74.17
r1 max	=	0.76
r2	=	3.18

Collar

H1*	=	11.41
H2 ¹⁾	=	11.38

Commencement of Rifling

G1 ¹⁾ *	=	10.62
G ¹⁾	=	10.42
alpha1*	=	90°
h	=	0.38
s	=	5.46
j ¹⁾ *	=	1°30'
w	=	

Barrel

F ¹⁾ *	=	10.36
Z ¹⁾	=	10.57

Grooves

b	=	3.25
N	=	6
u	=	356.00
Q	=	86.38 mm ²

Notes: 1) Check for safety reasons
* Basic dimensions

Dimensions in << mm >>
Dimensions and Tolerances for Proof Barrels
see Appendix CR 1.