

# C.I.P.

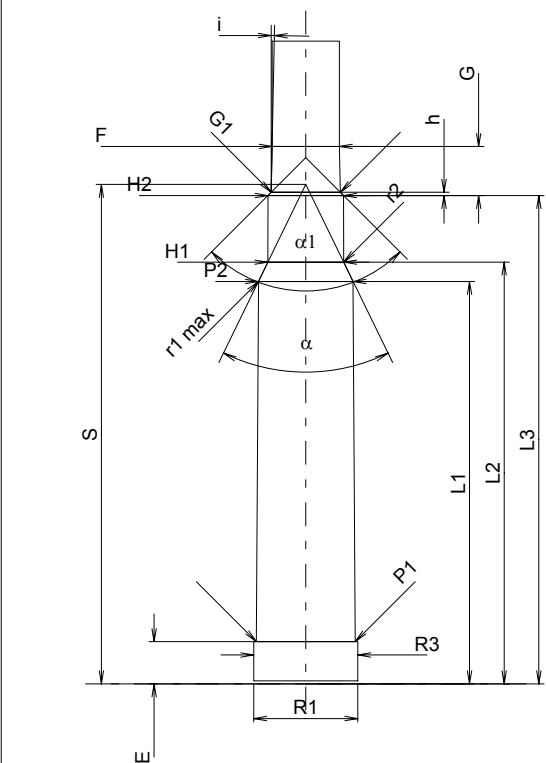
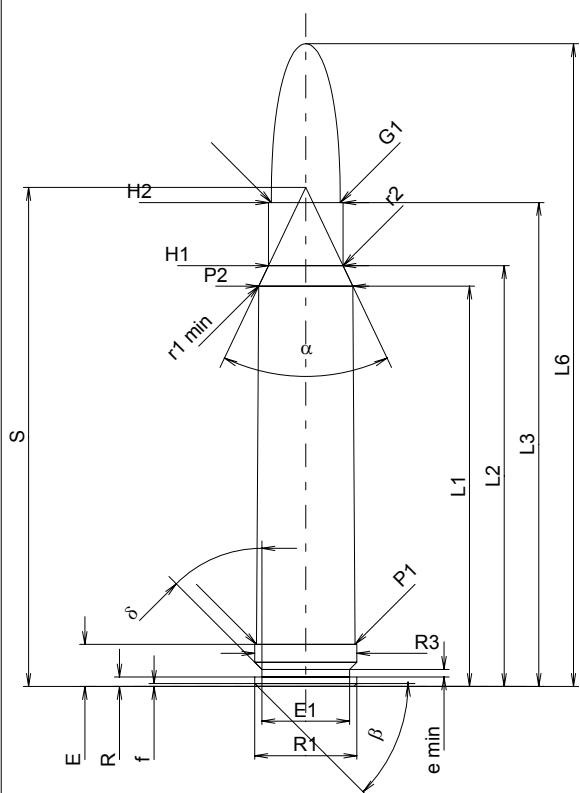
# 358 Norma Mag.

Country of Origin: SE

TAB. III

Date 84-06-14

Revision 02-05-15



Scale 1:1

### CARTRIDGE MAXI

#### Lengths

L1	=	52.94
L2	=	55.66
L3 <sup>1)</sup>	=	64.00
L4	=	
L5	=	
L6	=	85.00

#### Case Head

R	=	1.25
R1	=	13.50
R3	=	13.50
E <sup>1)</sup>	=	5.56
E1	=	11.60
e min	=	1.00
delta	=	45°
f	=	0.40
beta	=	45°

#### Powder Chamber

P1	=	13.03
P2*	=	12.45

#### Junction Cone

alpha*	=	51°
S*	=	65.99
r1 min	=	1.00
r2	=	3.00

#### Collar

H1*	=	9.85
H2 <sup>1)</sup>	=	9.85

#### Projectile

G1 <sup>1)</sup>	=	9.12
G2	=	
F	=	
L3+G <sup>1)</sup>	=	70.50

#### Pressures (Energies)

##### Method Transducer

Pmax	=	4400 bar
PK	=	5060 bar
PE	=	5500 bar
M	=	25.00
EE	=	4725 Joule

#### Miscellaneous Dimensions

Fe <sup>1)</sup>	=	0.10
delta L	=	

### CHAMBER MINI

#### Lengths

L1	=	53.22
L2	=	55.77
L3 <sup>1)</sup>	=	64.58

#### Breech

R	=	
R1	=	13.75
R2	=	
R3	=	13.75
r	=	

#### Powder Chamber

E <sup>1)</sup>	=	5.58
P1 <sup>1)</sup>	=	13.06
P2*	=	12.52

#### Junction Cone

alpha*	=	52°
S*	=	66.05
r1 max	=	2.00
r2	=	3.60

#### Collar

H1*	=	10.03
H2 <sup>1)</sup>	=	10.00

#### Commencement of Rifling

G1 <sup>1)</sup> *	=	9.14
G <sup>1)</sup>	=	6.50
alpha1*	=	90°
h	=	0.43
s	=	
i <sup>1)</sup> *	=	1°10'47"
w	=	

#### Barrel

F <sup>1)</sup> *	=	8.89
Z <sup>1)</sup>	=	9.10

#### Grooves

b	=	3.40
N	=	6
u	=	305.00
Q	=	64.27 mm <sup>2</sup>

Notes: 1) Check for safety reasons  
\* Basic dimensions

Dimensions in << mm >>  
Dimensions and Tolerances for Proof Barrels  
see Appendix CR 1.