

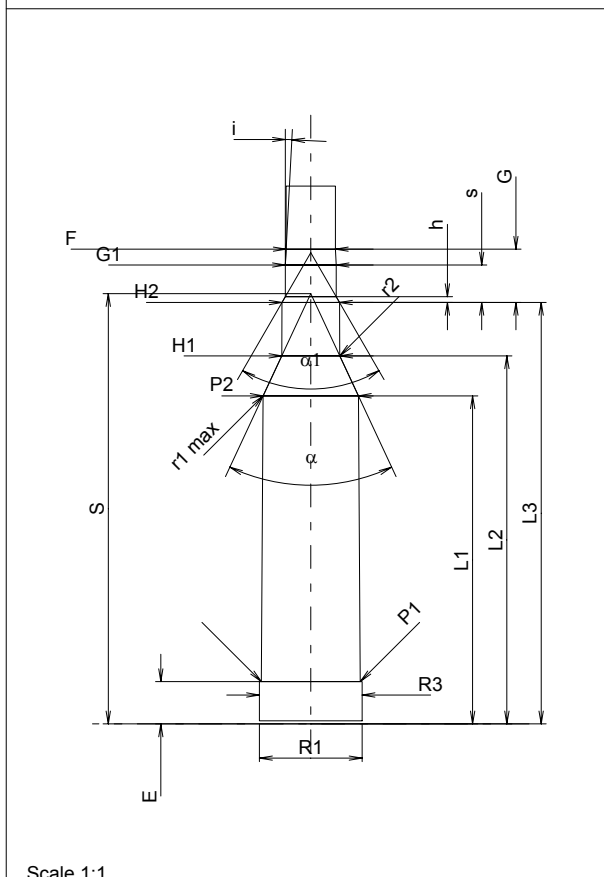
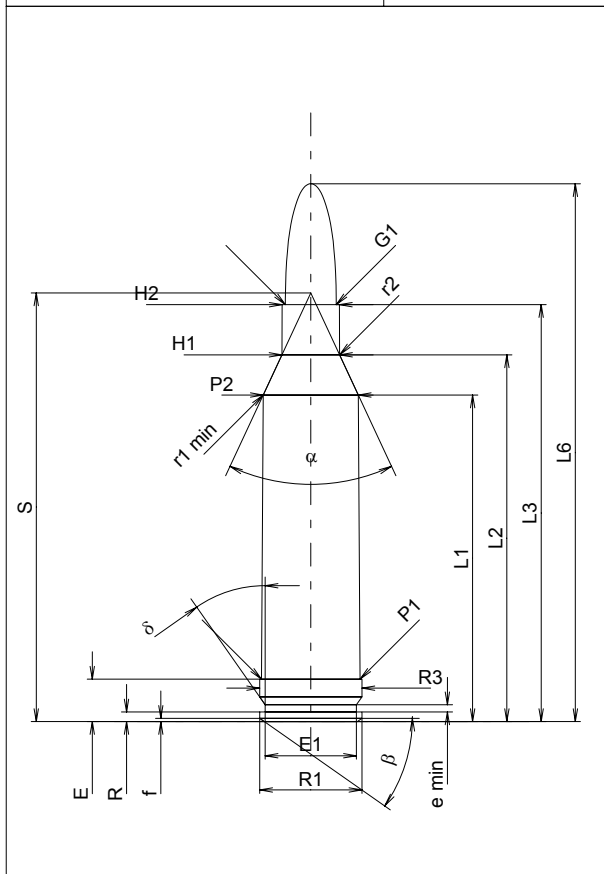
C.I.P.**6,5 mm Rem. Mag.**

TAB. III

Date 84-06-14

Revision 02-05-15

Country of Origin: US



Scale 1:1

Dimensions in << mm >>
Dimensions and Tolerances for Proof Barrels
see Appendix CR 1.

CARTRIDGE MAXI**Lengths**

L1	=	43.18
L2	=	48.49
L3 ¹⁾	=	55.12
L4	=	
L5	=	
L6	=	71.12

Case Head

R	=	1.27
R1	=	13.51
R3	=	13.51
E ¹⁾	=	5.59
E1	=	12.07
e min	=	0.94
delta	=	35°
f	=	0.41
beta	=	35°

Powder Chamber

P1	=	13.03
P2*	=	12.58

Junction Cone

alpha*	=	50°
S*	=	56.67
r1 min	=	0.76
r2	=	2.54

Collar

H1*	=	7.63
H2 ¹⁾	=	7.57

Projectile

G1 ¹⁾	=	6.72
G2	=	
F	=	
L3+G ¹⁾	=	62.17

Pressures (Energies)**Method Transducer**

Pmax	=	4350 bar
PK	=	5003 bar
PE	=	5438 bar
M	=	25.00
EE	=	3885 Joule

Miscellaneous Dimensions

Fe ¹⁾	=	0.10
delta L	=	

CHAMBER MINI**Lengths**

L1	=	43.39
L2	=	48.67
L3 ¹⁾	=	55.73

Breech

R	=	
R1	=	13.59
R2	=	
R3	=	13.59
r	=	

Powder Chamber

E ¹⁾	=	5.59
P1 ¹⁾	=	13.06
P2*	=	12.60

Junction Cone

alpha*	=	50°
S*	=	56.90
r1 max	=	0.76
r2	=	3.18

Collar

H1*	=	7.68
H2 ¹⁾	=	7.62

Commencement of Rifling

G1 ¹⁾ *	=	6.72
G ¹⁾	=	7.05
alpha1*	=	60°
h	=	0.78
s	=	4.95
i ¹⁾ *	=	3°
w	=	

Barrel

F ¹⁾ *	=	6.50
Z ¹⁾	=	6.71

Grooves

b	=	2.41
N	=	6
u	=	229.00
Q	=	34.71 mm ²

Notes: 1) Check for safety reasons
* Basic dimensions