

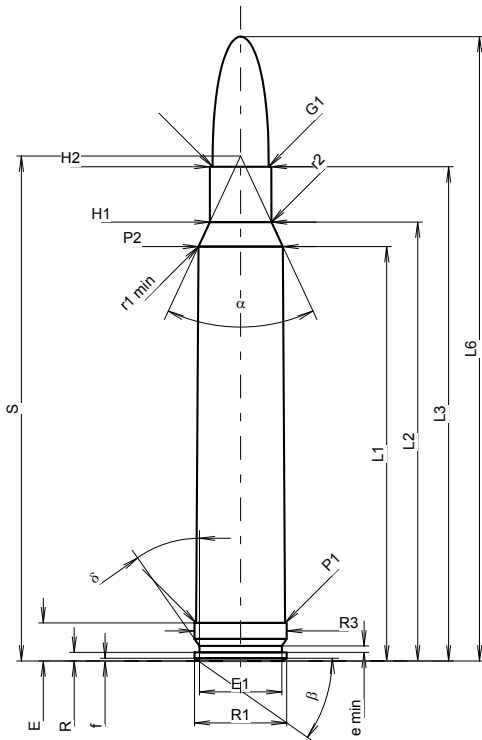
C.I.P.**8 mm Rem. Mag.**

TAB. III

Datum 84-06-14

Revision 08-09-23

Ursprungsland: US

**PATRONE MAXI****Längen**

L1	=	60.69
L2	=	64.27
L3 ¹⁾	=	72.39
L4	=	
L5	=	
L6	=	91.44

Hülsenboden

R	=	1.27
R1	=	13.51
R3	=	13.51
E ¹⁾	=	5.59
E1	=	12.07
e min	=	0.94
delta	=	35°
f	=	0.41
beta	=	35°

Pulverkammer

P1	=	13.03
P2 *	=	12.36

Schulterkonus

alpha *	=	50°
S *	=	73.94
r1 min	=	1.02
r2	=	3.18

Hülsenhals

H1 *	=	9.02
H2 ¹⁾	=	8.99

Geschoss

G1 ¹⁾	=	8.22
G2	=	
F	=	
L3+G ¹⁾	=	77.82

Drücke (Energien)**Mech. elektr. Wandler**

Pmax	=	4400 bar
PK	=	5060 bar
PE	=	5500 bar
M	=	25.00
EE	=	5355 Joule

Verschiedene Daten

Fe ¹⁾⁵⁾	=	0.10
delta L	=	

PATRONENLAGER MINI**Längen**

L1	=	60.88
L2	=	64.44
L3 ¹⁾	=	72.96

Stoßboden

R	=	
R1	=	13.59
R2	=	
R3	=	13.59
r	=	

Pulverkammer

E ¹⁾	=	5.59
P1 ¹⁾	=	13.05
P2 *	=	12.39

Schulterkonus

alpha *	=	50°
S *	=	74.17
r1 max	=	0.76
r2	=	3.81

Hülsenhals

H1 *	=	9.07
H2 ¹⁾	=	9.04

Geschossübergang

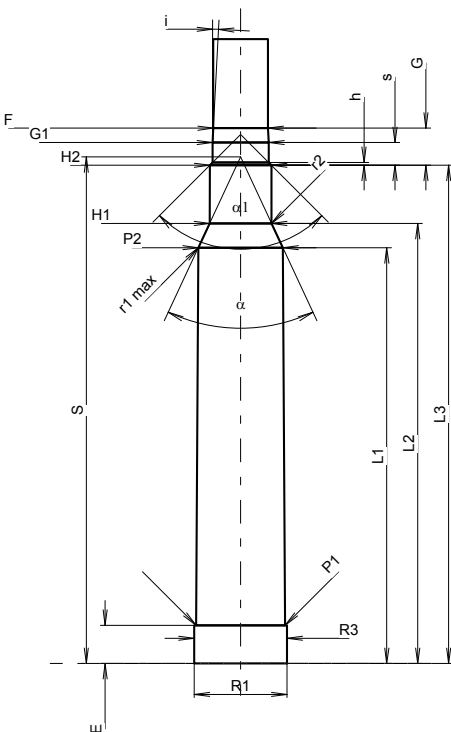
G1 ¹⁾ *	=	8.22
G ¹⁾	=	5.43
alpha1 *	=	90°
h	=	0.41
s	=	3.33
i ¹⁾ *	=	3°
w	=	

Lauf

F ¹⁾ *	=	8.00
Z ¹⁾	=	8.20

Züge

b	=	3.10
N	=	6
u	=	254.00
Q	=	52.17 mm ²



Maßstab 1:1.11

Maße in << mm >>
Maße und Toleranzen für Messläufe
siehe Anhang CR 1.

Bemerkungen: 1) Kontrolle aus Sicherheitsgründen
5) Verschlussabstand an Gürtel
* Grundmaße