

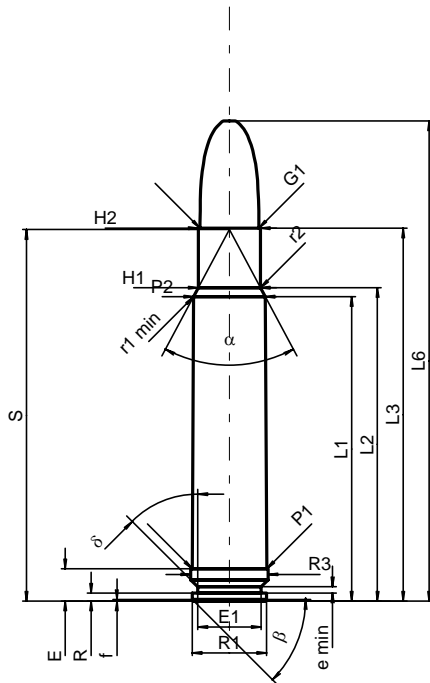
C.I.P.**460 Weath. Mag.**

TAB. III

Datum 84-06-14

Revision 02-05-15

Ursprungsland: US

**PATRONE MAXI****Längen**

L1	=	60.39
L2	=	62.17
L3 ¹⁾	=	73.99
L4	=	
L5	=	
L6	=	95.25

Hülsenboden

R	=	1.60
R1	=	14.71
R3	=	15.33
E ¹⁾	=	6.40
E1	=	12.57
e min	=	1.24
delta	=	45°
f	=	0.30
beta	=	45°

Pulverkammer

P1	=	14.78
P2*	=	14.24

Schulterkonus

alpha*	=	56°15'56"
S*	=	73.71
r1 min	=	3.30
r2	=	4.72

Hülsenhals

H1*	=	12.34
H2 ¹⁾	=	12.34

Geschoss

G1 ¹⁾	=	11.64
G2	=	
F	=	
L3+G ¹⁾	=	98.71

Drücke (Energien)**Mech. elektr. Wandler**

Pmax	=	4400 bar
PK	=	5060 bar
PE	=	5500 bar
M	=	25.00
EE	=	10605 Joule

Verschiedene Daten

Fe ¹⁾	=	0.10
delta L	=	

PATRONENLAGER MINI**Längen**

L1	=	60.56
L2	=	62.24
L3 ¹⁾	=	74.65

Stoßboden

R	=	
R1	=	15.39
R2	=	
R3	=	15.39
r	=	

Pulverkammer

E ¹⁾	=	6.43
P1 ¹⁾	=	14.83
P2*	=	14.32

Schulterkonus

alpha*	=	56°05'40"
S*	=	74.00
r1 max	=	3.05
r2	=	4.62

Hülsenhals

H1*	=	12.53
H2 ¹⁾	=	12.47

Geschossübergang

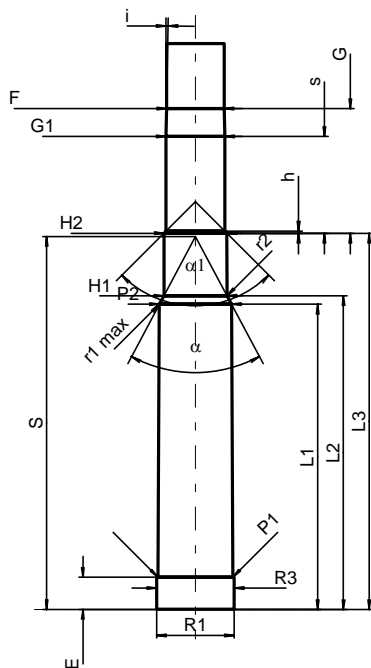
G1 ^{1)*}	=	11.64
G ¹⁾	=	24.72
alpha1*	=	90°
h	=	0.42
s	=	19.20
i ^{1)*}	=	1°05'20"
w	=	

Lauf

F ^{1)*}	=	11.43
Z ¹⁾	=	11.63

Züge

b	=	4.45
N	=	6
u	=	406.00
Q	=	104.44 mm ²



Maßstab 1:1.5

Maße in << mm >>
Maße und Toleranzen für Messläufe
siehe Anhang CR 1.

Bemerkungen: 1) Kontrolle aus Sicherheitsgründen
* Grundmaße