

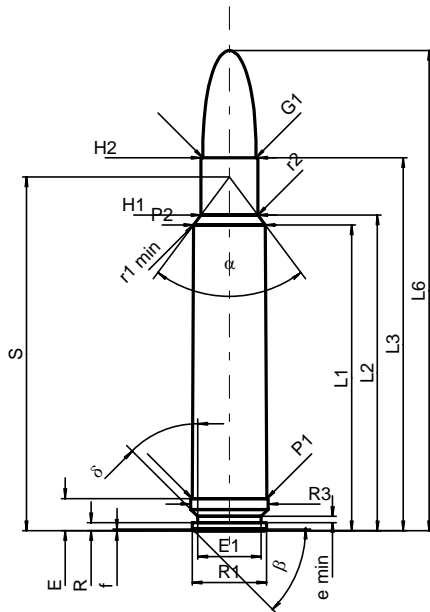
C.I.P.**416 Weath. Mag.**

TAB. III

Datum 91-02-19

Revision 04-05-18

Ursprungsland: US

**PATRONE MAXI****Längen**

| | | |
|------------------|---|-------|
| L1 | = | 60.66 |
| L2 | = | 62.64 |
| L3 ¹⁾ | = | 73.99 |
| L4 | = | |
| L5 | = | |
| L6 | = | 95.25 |

Hülsenboden

| | | |
|-----------------|---|-------|
| R | = | 1.60 |
| R1 | = | 14.71 |
| R3 | = | 15.33 |
| E ¹⁾ | = | 6.40 |
| E1 | = | 12.57 |
| e min | = | 1.24 |
| delta | = | 45° |
| f | = | 0.30 |
| beta | = | 45° |

Pulverkammer

| | | |
|-----|---|-------|
| P1 | = | 14.78 |
| P2* | = | 14.24 |

Schulterkonus

| | | |
|--------|---|-----------|
| alpha* | = | 73°32'42" |
| S* | = | 70.19 |
| r1 min | = | 3.30 |
| r2 | = | 4.17 |

Hülsenhals

| | | |
|------------------|---|-------|
| H1* | = | 11.28 |
| H2 ¹⁾ | = | 11.28 |

Geschoss

| | | |
|--------------------|---|-------|
| G1 ¹⁾ | = | 10.57 |
| G2 | = | |
| F | = | |
| L3+G ¹⁾ | = | 84.26 |

Drücke (Energien)**Mech. elektr. Wandler**

| | | |
|------|---|------------|
| Pmax | = | 4400 bar |
| PK | = | 5060 bar |
| PE | = | 5500 bar |
| M | = | 25.00 |
| EE | = | 9030 Joule |

Verschiedene Daten

| | | |
|------------------|---|------|
| Fe ¹⁾ | = | 0.10 |
| delta L | = | |

PATRONELAGER MINI**Längen**

| | | |
|------------------|---|-------|
| L1 | = | 60.79 |
| L2 | = | 62.77 |
| L3 ¹⁾ | = | 74.65 |

Stoßboden

| | | |
|----|---|-------|
| R | = | |
| R1 | = | 15.39 |
| R2 | = | |
| R3 | = | 15.39 |
| r | = | |

Pulverkammer

| | | |
|------------------|---|-------|
| E ¹⁾ | = | 6.43 |
| P1 ¹⁾ | = | 14.83 |
| P2* | = | 14.32 |

Schulterkonus

| | | |
|--------|---|-----------|
| alpha* | = | 72°34'30" |
| S* | = | 70.54 |
| r1 max | = | 3.05 |
| r2 | = | 4.42 |

Hülsenhals

| | | |
|------------------|---|-------|
| H1* | = | 11.41 |
| H2 ¹⁾ | = | 11.38 |

Geschossübergang

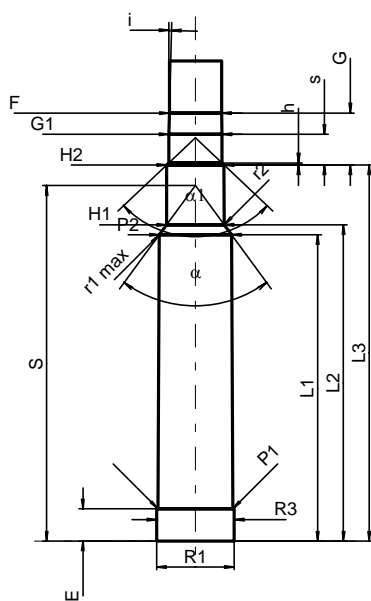
| | | |
|--------------------|---|-------|
| G1 ¹⁾ * | = | 10.58 |
| G ¹⁾ | = | 10.27 |
| alpha1* | = | 93° |
| h | = | 0.38 |
| s | = | 6.07 |
| i ¹⁾ * | = | 1°30' |
| w | = | |

Lauf

| | | |
|-------------------|---|-------|
| F ¹⁾ * | = | 10.36 |
| Z ¹⁾ | = | 10.57 |

Züge

| | | |
|---|---|-----------------------|
| b | = | 3.23 |
| N | = | 6 |
| u | = | 356.00 |
| Q | = | 86.37 mm ² |



Maßstab 1:1.5

Maße in << mm >>
Maße und Toleranzen für Messläufe
siehe Anhang CR 1.

Bemerkungen: 1) Kontrolle aus Sicherheitsgründen
* Grundmaße