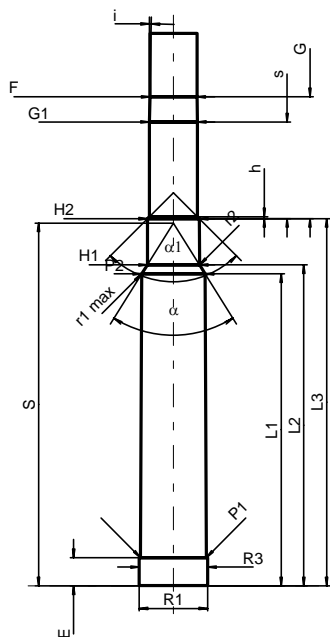
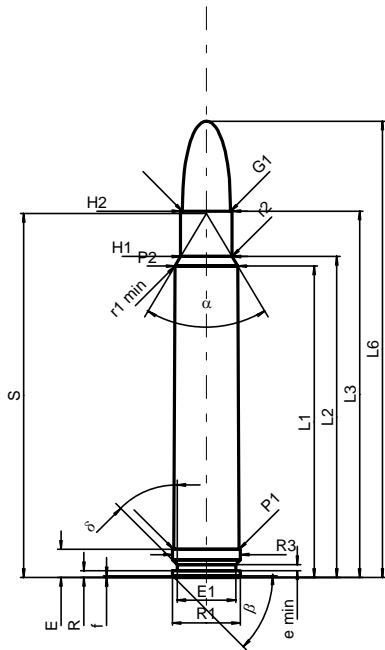


C.I.P.**375 Weath. Mag.**

TAB.	III
Datum	87-01-17
Revision	02-05-15

Ursprungsland: US



Maßstab 1:1.5

Maße in << mm >>
Maße und Toleranzen für Messläufe
siehe Anhang CR 1.

PATRONE MAXI**Längen**

L1	=	61.75
L2	=	63.65
L3 ¹⁾	=	72.64
L4	=	
L5	=	
L6	=	90.50

Hülsenboden

R	=	1.30
R1	=	13.50
R3	=	13.50
E ¹⁾	=	5.56
E1	=	11.61
e min	=	1.24
delta	=	45°
f	=	0.30
beta	=	45°

Pulverkammer

P1	=	13.00
P2 *	=	12.49

Schulterkonus

alpha *	=	61°42'14"
S *	=	72.20
r1 min	=	3.30
r2	=	4.62

Hülsenhals

H1 *	=	10.21
H2 ¹⁾	=	10.21

Geschoss

G1 ¹⁾	=	9.53
G2	=	
F	=	
L3+G ¹⁾	=	96.82

Drücke (Energien)**Mech. elektr. Wandler**

Pmax	=	4400 bar
PK	=	5060 bar
PE	=	5500 bar
M	=	25.00
EE	=	7350 Joule

Verschiedene Daten

Fe ¹⁾	=	0.10
delta L	=	

PATRONENLAGER MINI**Längen**

L1	=	61.87
L2	=	63.67
L3 ¹⁾	=	72.82

Stoßboden

R	=	
R1	=	13.56
R2	=	
R3	=	13.56
r	=	

Pulverkammer

E ¹⁾	=	5.59
P1 ¹⁾	=	13.06
P2 *	=	12.59

Schulterkonus

alpha *	=	63°59'02"
S *	=	71.95
r1 max	=	3.05
r2	=	4.62

Hülsenhals

H1 *	=	10.35
H2 ¹⁾	=	10.29

Geschossübergang

G1 ¹⁾ *	=	9.54
G ¹⁾	=	24.18
alpha1 *	=	90°
h	=	0.38
s	=	19.18
i ¹⁾ *	=	1°05'20"
w	=	

Lauf

F ¹⁾ *	=	9.35
Z ¹⁾	=	9.53

Züge

b	=	3.25
N	=	6
u	=	305.00
Q	=	70.45 mm ²

Bemerkungen: 1) Kontrolle aus Sicherheitsgründen
* Grundmaße