

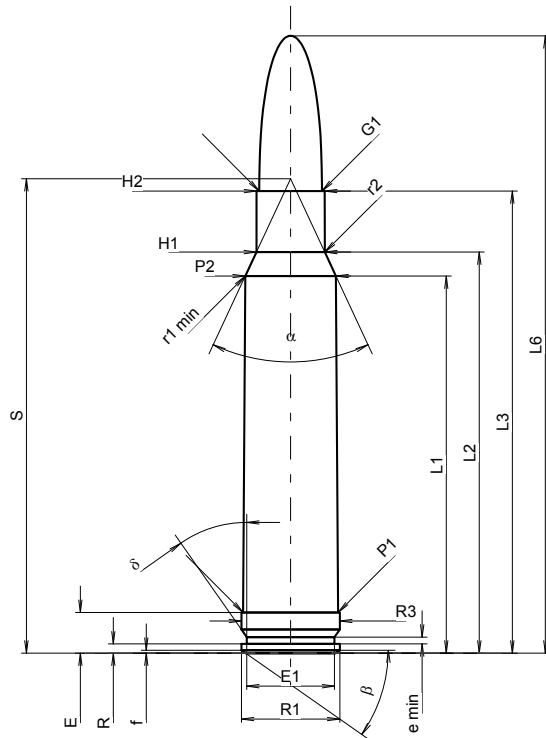
C.I.P.**338 Win. Mag.**

TAB. III

Datum 84-06-14

Revision 02-05-15

Ursprungsland: US

**PATRONE MAXI****Längen**

L1	=	51.82
L2	=	55.11
L3 ¹⁾	=	63.50
L4	=	
L5	=	69.85
L6	=	84.84

Hülsenboden

R	=	1.27
R1	=	13.51
R3	=	13.51
E ¹⁾	=	5.59
E1	=	12.07
e min	=	0.94
delta	=	35°
f	=	0.41
beta	=	35°

Pulverkammer

P1	=	13.03
P2 *	=	12.47

Schulterkonus

alpha *	=	50°
S *	=	65.19
r1 min	=	1.02
r2	=	3.18

Hülsenhals

H1 *	=	9.40
H2 ¹⁾	=	9.37

Geschoss

G1 ¹⁾	=	8.61
G2	=	8.38
F	=	
L3+G ¹⁾	=	69.27

Drücke (Energien)**Mech. elektr. Wandler**

Pmax	=	4300 bar
PK	=	4945 bar
PE	=	5375 bar
M	=	25.00
EE	=	5460 Joule

Verschiedene Daten

Fe ¹⁾	=	0.10
delta L	=	

PATRONENLAGER MINI**Längen**

L1	=	52.02
L2	=	55.30
L3 ¹⁾	=	64.11

Stoßboden

R	=	
R1	=	13.59
R2	=	
R3	=	13.59
r	=	

Pulverkammer

E ¹⁾	=	5.59
P1 ¹⁾	=	13.06
P2 *	=	12.50

Schulterkonus

alpha *	=	50°
S *	=	65.42
r1 max	=	0.76
r2	=	3.81

Hülsenhals

H1 *	=	9.44
H2 ¹⁾	=	9.41

Geschossübergang

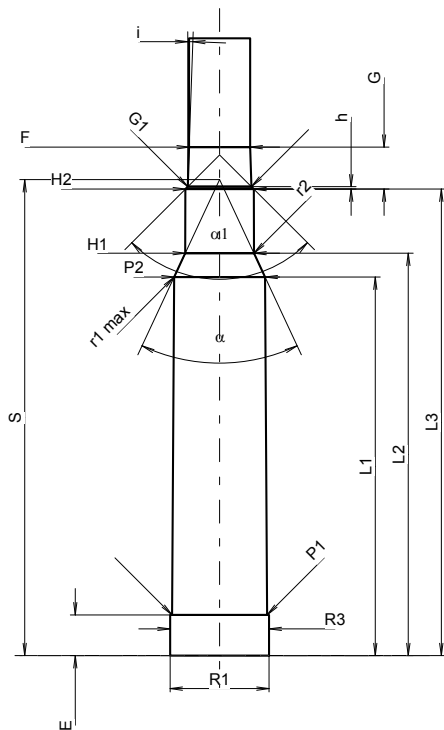
G1 ¹⁾ *	=	8.76
G ¹⁾	=	5.77
alpha1 *	=	90°
h	=	0.33
s	=	
i ¹⁾ *	=	2°
w	=	

Lauf

F ¹⁾ *	=	8.38
Z ¹⁾	=	8.59

Züge

b	=	2.79
N	=	6
u	=	254.00
Q	=	56.95 mm ²



Maßstab 1:1.04

Maße in << mm >>
Maße und Toleranzen für Messläufe
siehe Anhang CR 1.

Bemerkungen: 1) Kontrolle aus Sicherheitsgründen
* Grundmaße