

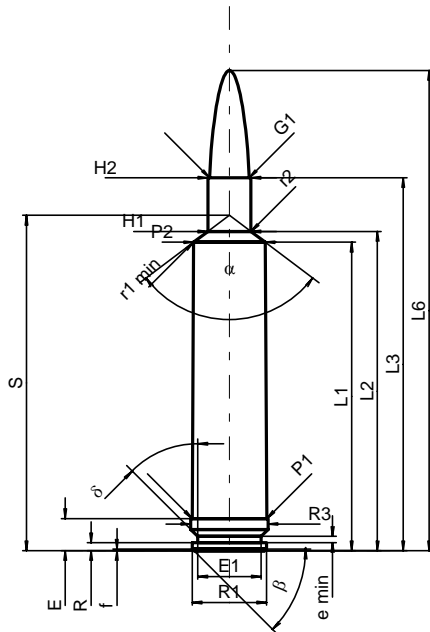
C.I.P.**30-378 Weath. Mag.**

TAB. III

Datum 96-03-05

Revision 02-05-15

Ursprungsland: US

**PATRONE MAXI****Längen**

L1	=	61.20
L2	=	63.33
L3 ¹⁾	=	73.99
L4	=	
L5	=	
L6	=	95.25

Hülsenboden

R	=	1.60
R1	=	14.71
R3	=	15.33
E ¹⁾	=	6.40
E1	=	12.57
e min	=	1.24
delta	=	45°
f	=	0.30
beta	=	45°

Pulverkammer

P1	=	14.78
P2 *	=	14.23

Schulterkonus

alpha *	=	105°57'54"
S *	=	66.56
r1 min	=	3.30
r2	=	3.84

Hülsenhals

H1 *	=	8.56
H2 ¹⁾	=	8.56

Geschoss

G1 ¹⁾	=	7.83
G2	=	
F	=	
L3+G ¹⁾	=	88.42

Drücke (Energien)**Mech. elektr. Wandler**

Pmax	=	4400 bar
PK	=	5060 bar
PE	=	5500 bar
M	=	25.00
EE	=	6720 Joule

Verschiedene Daten

Fe ¹⁾	=	0.10
delta L	=	

PATRONELAGER MINI**Längen**

L1	=	61.35
L2	=	63.41
L3 ¹⁾	=	74.65

Stoßboden

R	=	
R1	=	15.39
R2	=	
R3	=	15.39
r	=	

Pulverkammer

E ¹⁾	=	6.40
P1 ¹⁾	=	14.82
P2 *	=	14.32

Schulterkonus

alpha *	=	107°59'13"
S *	=	66.55
r1 max	=	3.05
r2	=	3.85

Hülsenhals

H1 *	=	8.65
H2 ¹⁾	=	8.61

Geschossübergang

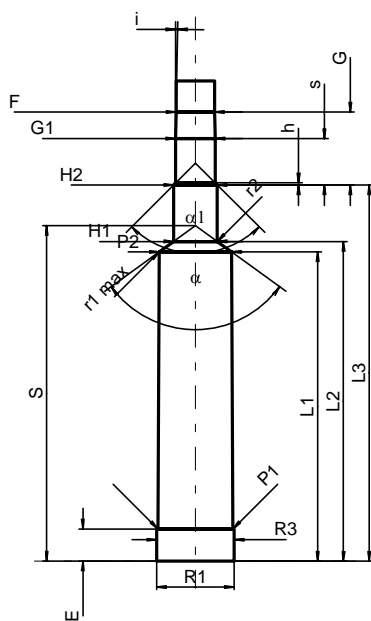
G1 ¹⁾ *	=	7.83
G ¹⁾	=	14.43
alpha 1 *	=	90°
h	=	0.39
s	=	9.17
i ¹⁾ *	=	1°05'20"
w	=	

Lauf

F ¹⁾ *	=	7.63
Z ¹⁾	=	7.82

Züge

b	=	3.00
N	=	6
u	=	254.00
Q	=	47.48 mm ²



Maßstab 1:1.5

Maße in << mm >>
Maße und Toleranzen für Messläufe
siehe Anhang CR 1.

Bemerkungen: 1) Kontrolle aus Sicherheitsgründen
* Grundmaße