

C.I.P.

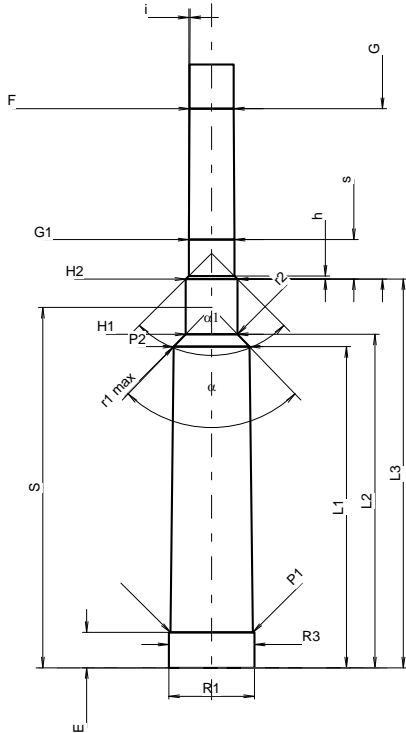
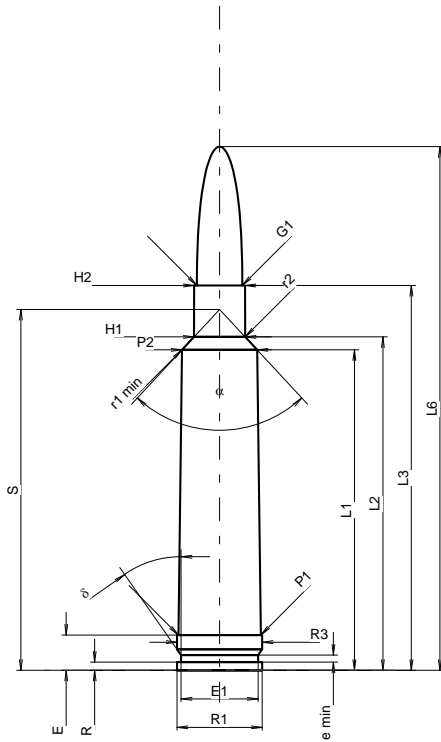
7 x 61 Super

Country of Origin: US

TAB. III

Date 90-04-24

Revision 11-05-25



Scale 1:1.2

Dimensions in << mm >>
Dimensions and Tolerances for Proof Barrels
see Appendix CR 1.

CARTRIDGE MAXI

Lengths

L1	=	50.80
L2	=	52.85
L3 ¹⁾	=	61.00
L4	=	
L5	=	
L6	=	83.00

Case Head

R	=	1.30
R1	=	13.50
R3	=	13.50
E ¹⁾	=	5.60
E1	=	12.20
e min	=	1.10
delta	=	35°
f	=	
beta	=	

Powder Chamber

P1	=	13.05
P2 *	=	11.91

Junction Cone

alpha *	=	85°45'
S *	=	57.21
r1 min	=	2.00
r2	=	1.50

Collar

H1 *	=	8.10
H2 ¹⁾	=	8.06

Projectile

G1 ¹⁾	=	7.20
G2	=	7.20
F	=	
L3+G ¹⁾	=	88.00

Pressures (Energies)

Method Transducer

Pmax	=	4050 bar
PK	=	4658 bar
PE	=	5060 bar
M	=	25.00
EE	=	4620 Joule

Miscellaneous Dimensions

Fe ¹⁾⁵⁾	=	0.10
delta L	=	

CHAMBER MINI

Lengths

L1	=	50.90
L2	=	52.87
L3 ¹⁾	=	61.62

Breech

R	=	
R1	=	13.56
R2	=	
R3	=	13.56
r	=	

Powder Chamber

E ¹⁾	=	5.62
P1	=	13.08
P2 ¹⁾ *	=	12.01

Junction Cone

alpha ¹⁾ *	=	88°
S *	=	57.12
r1 max	=	2.00
r2	=	1.50

Collar

H1 *	=	8.21
H2 ¹⁾	=	8.18

Commencement of Rifling

G1 ¹⁾ *	=	7.23
G ¹⁾	=	27.00
alpha 1 *	=	90°
h	=	0.48
s	=	6.25
i ¹⁾ *	=	0°19'3"
w	=	

Barrel

F ¹⁾ *	=	7.00
Z ¹⁾	=	7.22

Grooves

b	=	2.70
N	=	6
u	=	229.00
Q	=	40.31 mm ²

Notes: 1) Check for safety reasons
5) Headspace on Belt
* Basic dimensions