

C.I.P.**458 Lott**

TAB.

III

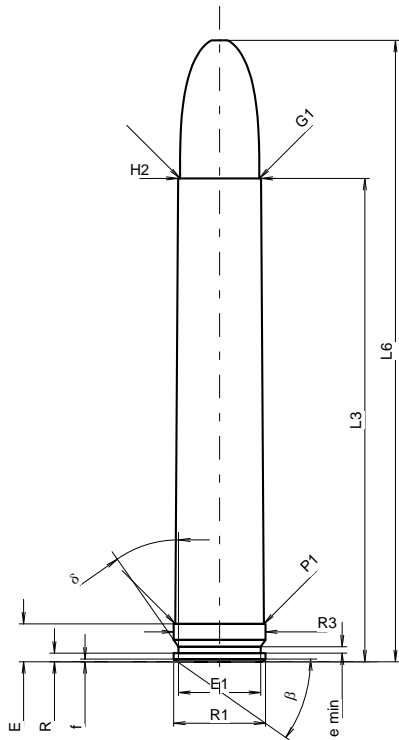
Date

00-08-24

Révision

06-05-16

Pays d'origine: US

**CARTOUCHE MAXI****Longueurs**

L1	=	
L2	=	
L3 ¹⁾	=	71.12
L4	=	
L5	=	
L6	=	91.44

Culot

R	=	1.27
R1	=	13.51
R3	=	13.51
E ¹⁾	=	5.59
E1	=	12.07
e min	=	0.94
delta	=	35°
f	=	0.41
beta	=	35°

Chambre à poudre

P1	=	13.03
P2	=	

Cône de raccordement

alpha	=	
S	=	
r1 min	=	
r2	=	

Collet

H1	=	
H2 ¹⁾	=	12.22

Projectile

G1 ¹⁾	=	11.66
G2	=	
F	=	
L3+G ¹⁾	=	79.22

Pressions (Énergies)**Méthode transducteur**

Pmax	=	4300 bar
PK	=	4945 bar
PE	=	5375 bar
M	=	25.00
EE	=	7140 Joule

Autres indications

Fe ¹⁾⁵⁾	=	0.10
delta L	=	

CHAMBRE MINI**Longueurs**

L1	=	
L2	=	
L3 ¹⁾	=	71.37

Cuvette

R	=	
R1	=	13.56
R2	=	
R3	=	13.56
r	=	

Chambre à poudre

E ¹⁾	=	5.59
P1 ¹⁾	=	13.05
P2	=	

Cône de raccordement

alpha	=	
S	=	
r1 max	=	
r2	=	

Collet

H1	=	
H2 ¹⁾	=	12.27

Prise de rayures

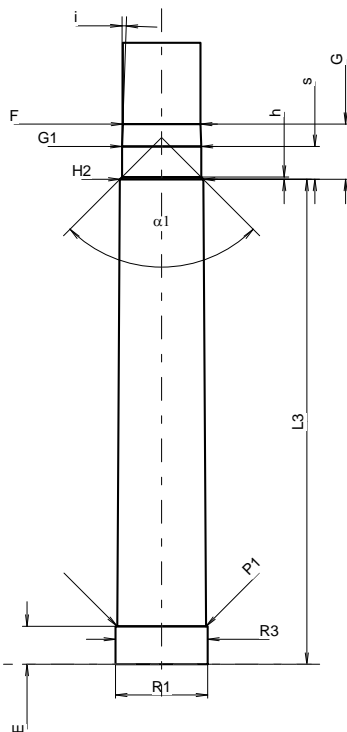
G1 ¹⁾ *	=	11.66
G ¹⁾	=	8.10
alpha ¹⁾ *	=	90°
h	=	0.31
s	=	4.83
i ¹⁾ *	=	2°
w	=	

Canon

F ¹⁾ *	=	11.43
Z ¹⁾	=	11.63

Rayures

b	=	3.81
N	=	6
u	=	254.00
Q	=	104.94 mm ²



Échelle 1:1.11

Dimensions en << mm >>
Dimensions et tolérances pour les canons
d'épreuve: Voyez Annexe CR 1.

Notes: 1) A' contrôler pour la sécurité
5) Feuillure sur la culot magnum
* Dimensions de base