

C.I.P.

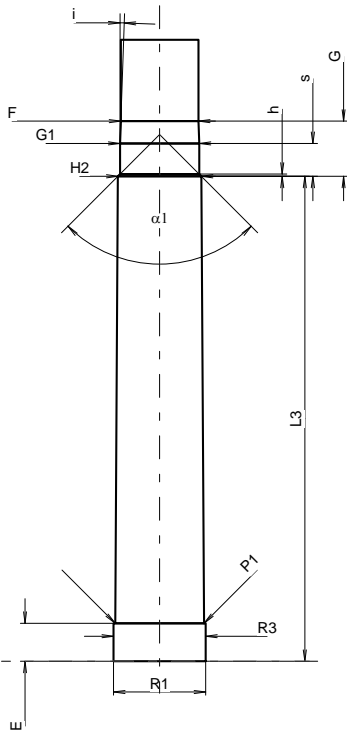
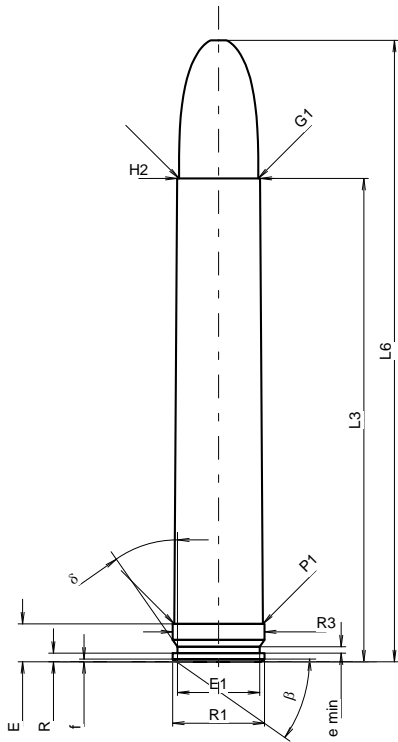
458 Lott

Country of Origin: US

TAB. III

Date 00-08-24

Revision 06-05-16



Scale 1:1.11

CARTRIDGE MAXI

Lengths

L1	=	
L2	=	
L3 ¹⁾	=	71.12
L4	=	
L5	=	
L6	=	91.44

Case Head

R	=	1.27
R1	=	13.51
R3	=	13.51
E ¹⁾	=	5.59
E1	=	12.07
e min	=	0.94
delta	=	35°
f	=	0.41
beta	=	35°

Powder Chamber

P1	=	13.03
P2	=	

Junction Cone

alpha	=	
S	=	
r1 min	=	
r2	=	

Collar

H1	=	
H2 ¹⁾	=	12.22

Projectile

G1 ¹⁾	=	11.66
G2	=	
F	=	
L3+G ¹⁾	=	79.22

Pressures (Energies)

Method Transducer

Pmax	=	4300 bar
PK	=	4945 bar
PE	=	5375 bar
M	=	25.00
EE	=	7140 Joule

Miscellaneous Dimensions

Fe ¹⁾⁵⁾	=	0.10
delta L	=	

CHAMBER MINI

Lengths

L1	=	
L2	=	
L3 ¹⁾	=	71.37

Breech

R	=	
R1	=	13.56
R2	=	
R3	=	13.56
r	=	

Powder Chamber

E ¹⁾	=	5.59
P1 ¹⁾	=	13.05
P2	=	

Junction Cone

alpha	=	
S	=	
r1 max	=	
r2	=	

Collar

H1	=	
H2 ¹⁾	=	12.27

Commencement of Rifling

G1 ¹⁾ *	=	11.66
G ¹⁾	=	8.10
alpha1 *	=	90°
h	=	0.31
s	=	4.83
i ¹⁾ *	=	2°
w	=	

Barrel

F ¹⁾ *	=	11.43
Z ¹⁾	=	11.63

Grooves

b	=	3.81
N	=	6
u	=	254.00
Q	=	104.94 mm ²

Notes: 1) Check for safety reasons
5) Headspace on Belt
* Basic dimensions

Dimensions in << mm >>
Dimensions and Tolerances for Proof Barrels
see Appendix CR 1.