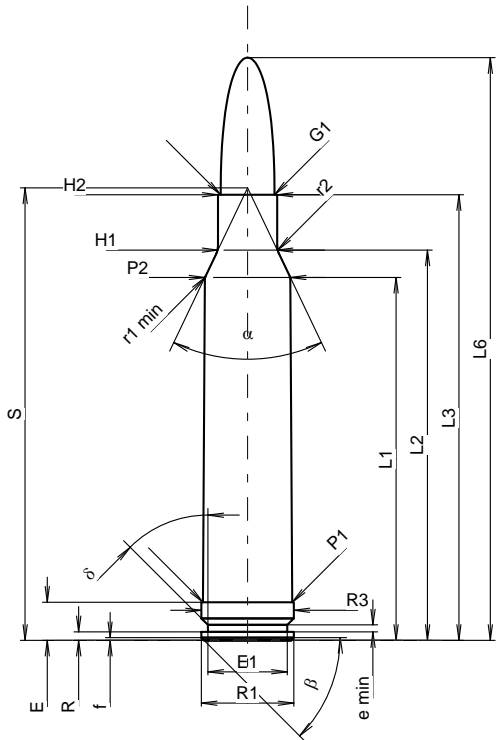


# C.I.P.

# 308 Norma Mag.

Country of Origin: SE

TAB.	III
Date	84-06-14
Revision	16-10-18



### CARTRIDGE MAXI

#### Lengths

L1	=	52.94
L2	=	56.92
L3 <sup>1)</sup>	=	65.00
L4	=	
L5	=	
L6	=	85.00

#### Case Head

R	=	1.25
R1	=	13.50
R3	=	13.50
E <sup>1)</sup>	=	5.56
E1	=	11.60
e min	=	1.00
delta	=	45°
f	=	0.40
beta	=	45°

#### Powder Chamber

P1	=	13.03
P2 *	=	12.45

#### Junction Cone

alpha *	=	51°
S *	=	65.99
r1 min	=	1.00
r2	=	3.00

#### Collar

H1 *	=	8.65
H2 <sup>1)</sup>	=	8.65

#### Projectile

G1 <sup>1)</sup>	=	7.85
G2	=	
F	=	
L3+G <sup>1)</sup>	=	74.65

#### Pressures (Energies)

##### Method Transducer

Pmax	=	4400 bar
PK	=	5060 bar
PE	=	5500 bar
M	=	25.00
EE	=	4935 Joule

#### Miscellaneous Dimensions

Fe <sup>1)</sup>	=	0.10
delta L	=	

### CHAMBER MINI

#### Lengths

L1	=	53.22
L2	=	57.03
L3 <sup>1)</sup>	=	65.58

#### Breech

R	=	
R1	=	13.75
R2	=	
R3	=	13.75
r	=	

#### Powder Chamber

E <sup>1)</sup>	=	5.58
P1 <sup>1)</sup>	=	13.06
P2 *	=	12.52

#### Junction Cone

alpha *	=	52°
S *	=	66.05
r1 max	=	2.00
r2	=	3.60

#### Collar

H1 *	=	8.80
H2 <sup>1)</sup>	=	8.75

#### Commencement of Rifling

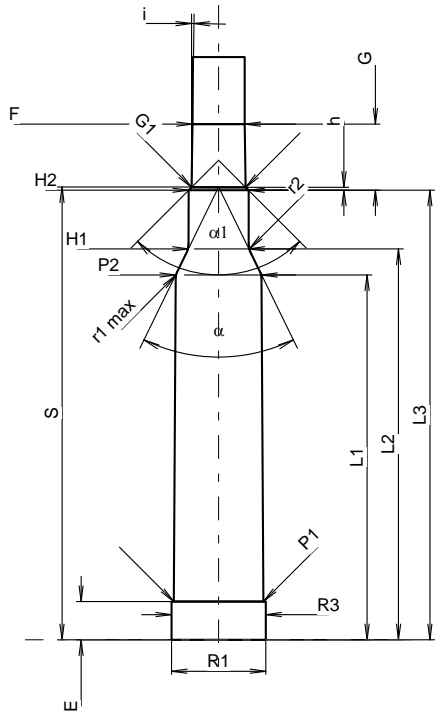
G1 <sup>1)</sup> *	=	7.89
G <sup>1)</sup>	=	9.65
alpha1 *	=	90°
h	=	0.43
s	=	
i <sup>1)</sup> *	=	0°50'20"
w	=	

#### Barrel

F <sup>1)</sup> *	=	7.62
Z <sup>1)</sup>	=	7.82

#### Grooves

b	=	4.47
N	=	4
u	=	254.00
Q	=	47.51 mm <sup>2</sup>



Scale 1:1.1

Dimensions in << mm >>  
Dimensions and Tolerances for Proof Barrels  
see Appendix CR 1.

Notes: 1) Check for safety reasons  
\* Basic dimensions