

C.I.P.**38-40 Win.**

TAB.

II

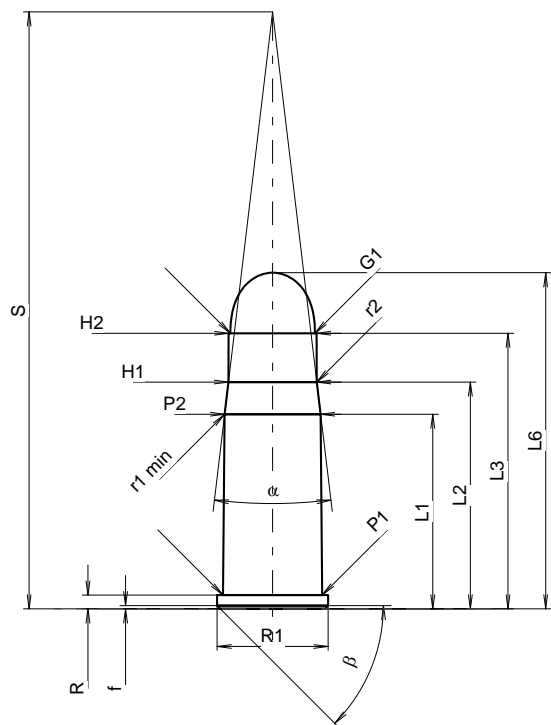
Date

84-06-14

Révision

02-05-15

Pays d'origine: US

**CARTOUCHE MAXI****Longueurs**

L1	=	23.42
L2	=	27.28
L3 ¹⁾	=	33.15
L4	=	
L5	=	
L6	=	40.44

Culot

R ¹⁾	=	1.65	-0.25
R1	=	13.34	
R3	=		
E	=		
E1	=		
e min	=		
delta	=		
f	=	0.38	
beta	=	45°	

Chambre à poudre

P1	=	11.93
P2 *	=	11.54

Cône de raccordement

alpha *	=	13°36'
S *	=	71.81
r1 min	=	17.53
r2	=	13.72

Collet

H1 *	=	10.62
H2 ¹⁾	=	10.58

Projectile

G1 ¹⁾	=	10.17
G2	=	
F	=	
L3+G ¹⁾	=	34.69

Pressions (Énergies)**Méthode transducteur**

Pmax	=	1150 bar
PK	=	1323 bar
PE	=	1440 bar
M	=	17.50
EE	=	1945 Joule

Autres indications

Fe ¹⁾⁴⁾	=	0.15
delta L	=	

CHAMBRE MINI**Longueurs**

L1	=	23.18
L2	=	27.12
L3 ¹⁾	=	33.45

Cuvette

R ¹⁾	=	1.65
R1	=	13.59
R2	=	
R3	=	
r	=	

Chambre à poudre

E	=	
P1 ¹⁾	=	11.96
P2 *	=	11.60

Cône de raccordement

alpha *	=	13°44'
S *	=	71.34
r1 max	=	17.53
r2	=	13.72

Collet

H1 *	=	10.65
H2 ¹⁾	=	10.61

Prise de rayures

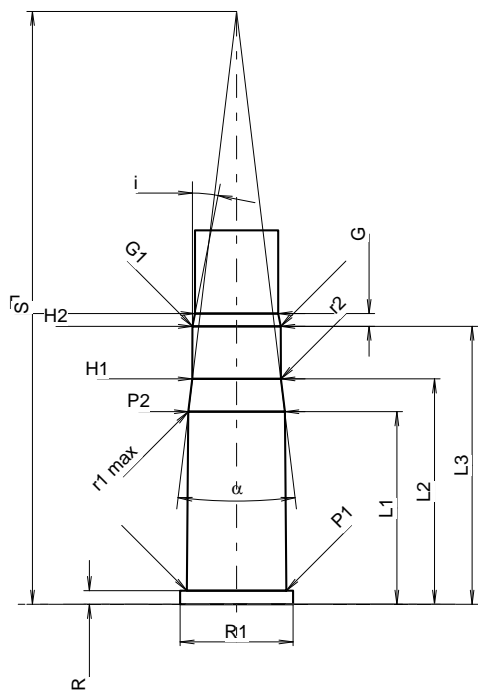
G1 ¹⁾ *	=	10.61
G ¹⁾	=	1.54
F	=	
alpha l	=	180°
h	=	
s	=	
i ¹⁾ *	=	11°
w	=	

Canon

F ¹⁾ *	=	10.01
Z ¹⁾	=	10.16

Rayures

b	=	3.14
N	=	6
u	=	914.00
Q	=	80.13 mm ²



Échelle 1.1:1

Dimensions en << mm >>
Dimensions et tolérances pour les canons
d'épreuve: Voyez Annexe CR 1.

Notes: 1) A' contrôler pour la sécurité
4) Feuillure sur la bourrelet
* Dimensions de base