

**C.I.P.****297/230 Morris sh**

TAB.

II

Date

84-06-14

Pays d'origine: GB

Révision

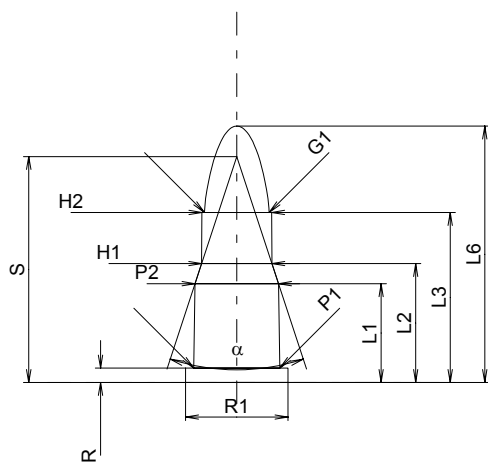
00-06-07

**CARTOUCHE MAXI****CHAMBRE MINI****Longueurs**

|                  |   |       |
|------------------|---|-------|
| L1 <sup>*</sup>  | = | 8.71  |
| L2 <sup>*</sup>  | = | 10.49 |
| L3 <sup>1)</sup> | = | 14.99 |
| L4               | = |       |
| L5               | = |       |
| L6               | = | 22.61 |

**Longueurs**

|                  |   |       |
|------------------|---|-------|
| L1 <sup>*</sup>  | = | 8.74  |
| L2 <sup>*</sup>  | = | 10.52 |
| L3 <sup>1)</sup> | = | 15.24 |

**Culot**

|                 |   |      |       |
|-----------------|---|------|-------|
| R <sup>1)</sup> | = | 1.27 | -0.25 |
| R1              | = | 9.02 |       |
| R3              | = |      |       |
| E               | = |      |       |
| E1              | = |      |       |
| e min           | = |      |       |
| delta           | = |      |       |
| f               | = |      |       |
| beta            | = |      |       |

**Cuvette**

|                 |   |      |
|-----------------|---|------|
| R <sup>1)</sup> | = | 1.30 |
| R1              | = | 9.14 |
| R2              | = |      |
| R3              | = |      |
| r               | = |      |

**Chambre à poudre**

|                 |   |      |
|-----------------|---|------|
| P1              | = | 7.59 |
| P2 <sup>*</sup> | = | 7.37 |

**Chambre à poudre**

|                  |   |      |
|------------------|---|------|
| E                | = |      |
| P1 <sup>1)</sup> | = | 7.62 |
| P2 <sup>*</sup>  | = | 7.39 |

**Cône de raccordement**

|        |   |           |
|--------|---|-----------|
| alpha  | = | 36°23'11" |
| S      | = | 19.92     |
| r1 min | = |           |
| r2     | = |           |

**Cône de raccordement**

|        |   |           |
|--------|---|-----------|
| alpha  | = | 36°23'09" |
| S      | = | 19.98     |
| r1 max | = |           |
| r2     | = |           |

**Collet**

|                  |   |      |
|------------------|---|------|
| H1 <sup>*</sup>  | = | 6.20 |
| H2 <sup>1)</sup> | = | 6.15 |

**Collet**

|                  |   |      |
|------------------|---|------|
| H1 <sup>*</sup>  | = | 6.22 |
| H2 <sup>1)</sup> | = | 6.17 |

**Projectile**

|                    |   |       |
|--------------------|---|-------|
| G1 <sup>1)</sup>   | = | 5.71  |
| G2                 | = |       |
| F                  | = |       |
| L3+G <sup>1)</sup> | = | 18.81 |

**Prise de rayures**

|                   |   |       |
|-------------------|---|-------|
| G1 <sup>1)*</sup> | = | 5.76  |
| G <sup>1)*</sup>  | = | 3.82  |
| alpha1            | = | 180°  |
| h                 | = |       |
| s                 | = |       |
| i <sup>1)</sup>   | = | 1°30' |
| w                 | = |       |

**Pressions (Énergies)****Canon**

|                  |   |      |
|------------------|---|------|
| F <sup>1)*</sup> | = | 5.56 |
| Z <sup>1)</sup>  | = | 5.69 |

**Rayures**

|   |   |                       |
|---|---|-----------------------|
| b | = |                       |
| N | = |                       |
| u | = | 255.00                |
| Q | = | 24.28 mm <sup>2</sup> |

**Autres indications**

|         |   |  |
|---------|---|--|
| Fe      | = |  |
| delta L | = |  |

Échelle 1.5:1

Dimensions en << mm >>  
Dimensions et tolérances pour les canons  
d'épreuve: Voyez Annexe CR 1.

Notes: 1) A' contrôler pour la sécurité  
\* Dimensions de base