

C.I.P.**297/230 Morris Ig**

TAB.

II

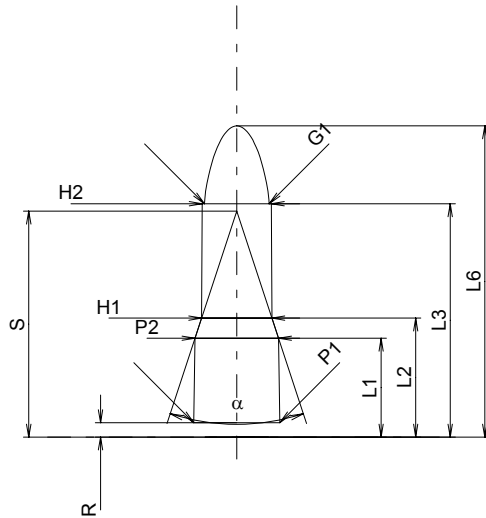
Date

84-06-14

Pays d'origine: GB

Révision

00-06-07

**CARTOUCHE MAXI****Longueurs**

L1 [*]	=	8.71
L2 [*]	=	10.49
L3 ¹⁾	=	20.57
L4	=	
L5	=	
L6	=	27.43

Culot

R	=	1.27	-0.25
R1	=		
R3	=		
E	=		
E1	=		
e min	=		
δ	=		
f	=		
β	=		

Chambre à poudre

P1	=	7.59
P2 [*]	=	7.37

Cône de raccordement

α	=	36°23'11"
S	=	19.92
r1 min	=	
r2	=	

Collet

H1 [*]	=	6.20
H2 ¹⁾	=	6.10

Projectile

G1 ¹⁾	=	5.71
G2	=	
F	=	
L3+G ¹⁾	=	24.39

Pressions (Énergies)**Autres indications**

Fe	=	
delta L	=	

CHAMBRE MINI**Longueurs**

L1 [*]	=	8.74
L2 [*]	=	10.52
L3 ¹⁾	=	20.83

Cuvette

R ¹⁾	=	1.30
R1	=	9.14
R2	=	
R3	=	
r	=	

Chambre à poudre

E	=	
P1 ¹⁾	=	7.62
P2 [*]	=	7.39

Cône de raccordement

α	=	36°23'09"
S	=	19.98
r1 max	=	
r2	=	

Collet

H1 [*]	=	6.22
H2 ¹⁾	=	6.12

Prise de rayures

G1 ¹⁾ *	=	5.76
G ¹⁾ *	=	3.82
α1	=	180°
h	=	
s	=	
i ¹⁾	=	1°30'
w	=	

Canon

F ¹⁾ *	=	5.56
Z ¹⁾	=	5.69

Rayures

b	=	
N	=	
u	=	255.00
Q	=	24.28 mm ²

Échelle 1.5:1

Dimensions en << mm >>
Dimensions et tolérances pour les canons
d'épreuve: Voyez Annexe CR 1.

Notes: 1) A' contrôler pour la sécurité
* Dimensions de base