

C.I.P.**11,15 x 60 R**

TAB.

II

Date

84-06-14

Pays d'origine: DE

Révision

02-05-15

CARTOUCHE MAXI**CHAMBRE MINI****Longueurs**

L1 [*]	=	36.40
L2 [*]	=	40.05
L3 ¹⁾	=	60.35
L4	=	
L5	=	
L6	=	78.00

Longueurs

L1 [*]	=	36.40
L2 [*]	=	40.00
L3 ¹⁾	=	60.80

Culot

R ¹⁾	=	2.40	-0.25
R1	=	15.00	
R3	=		
E	=		
E1	=		
e min	=		
δ	=		
f	=	1.05	
β	=	45°	

Cuvette

R ¹⁾	=	2.40
R1	=	15.05
R2	=	
R3	=	
r	=	

Chambre à poudre

P1	=	13.10
P2 [*]	=	13.00

Chambre à poudre

E	=	
P1 ¹⁾	=	13.13
P2 [*]	=	13.03

Cône de raccordement

α	=	17°54'18"
S	=	77.66
r1 min	=	
r2	=	

Cône de raccordement

α	=	17°50'20"
S	=	77.91
r1 max	=	
r2	=	

Collet

H1 [*]	=	11.85
H2 ¹⁾	=	11.85

Collet

H1 [*]	=	11.90
H2 ¹⁾	=	11.88

Projectile

G1 ¹⁾	=	11.40
G2	=	
F	=	
L3+G ¹⁾	=	87.85

Prise de rayures

G1 ¹⁾ *	=	11.50
G ¹⁾ *	=	27.50
α1	=	90°
h [*]	=	0.19
s	=	
i ¹⁾	=	0°34'36"
w	=	

Pressions (Énergies)**Méthode transducteur**

Pmax	=	2800 bar
PK	=	3220 bar
PE	=	3500 bar
M	=	25.00
EE	=	2730 Joule

Canon

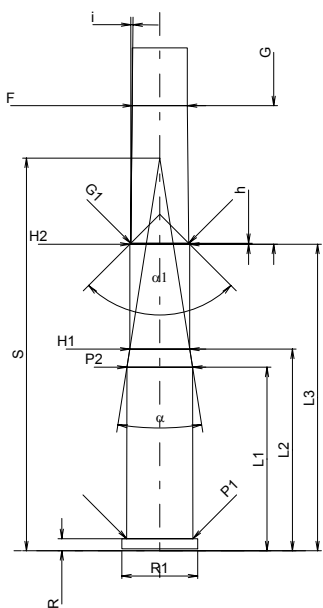
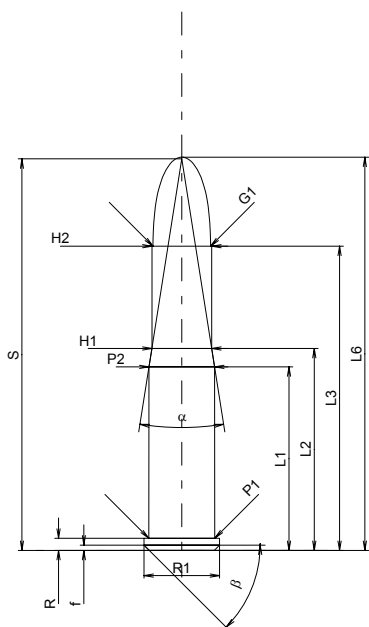
F ¹⁾ *	=	10.95
Z ¹⁾	=	11.50

Rayures

b	=	5.60
N	=	4
u	=	550.00
Q	=	100.62 mm ²

Autres indications

Fe ¹⁾	=	0.15
delta L	=	



Échelle 1:1.5

Dimensions en << mm >>
Dimensions et tolérances pour les canons
d'épreuve: Voyez Annexe CR 1.

Notes: 1) A' contrôler pour la sécurité
* Dimensions de base