

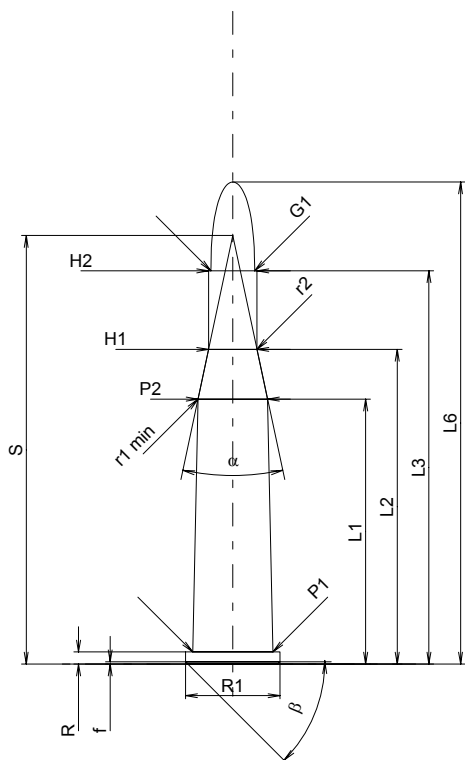
C.I.P.**5,6 x 52 R**

TAB. II

Date 84-06-14

Pays d'origine: DE

Révision 02-05-15

**CARTOUCHE MAXI****Longueurs**

L1 *	=	35.03
L2 *	=	41.62
L3 ¹⁾	=	52.00
L4	=	
L5	=	
L6	=	63.75

Colot

R ¹⁾	=	1.60	-0.25
R1	=	12.50	
R3	=		
E	=		
E1	=		
e min	=		
delta	=		
f	=	0.30	
beta	=	45°	

Chambre à poudre

P1	=	10.62
P2 *	=	9.20

Cône de raccordement

alpha	=	23°59'16"
S	=	56.68
r1 min	=	0.50
r2	=	0.50

Collet

H1 *	=	6.40
H2 ¹⁾	=	6.40

Projectile

G1 ¹⁾	=	5.79
G2	=	
F	=	
L3+G ¹⁾	=	70.00

Pressions (Énergies)**Méthode transducteur**

Pmax	=	3300 bar
PK	=	3795 bar
PE	=	4125 bar
M	=	25.00
EE	=	1830 Joule

Autres indications

Fe ¹⁾	=	0.15
delta L	=	

CHAMBRE MINI**Longueurs**

L1 *	=	35.03
L2 *	=	41.62
L3 ¹⁾	=	52.30

Cuvette

R ¹⁾	=	1.60
R1	=	12.55
R2	=	
R3	=	
r	=	

Chambre à poudre

E	=	
P1 ¹⁾	=	10.65
P2 *	=	9.23

Cône de raccordement

alpha	=	24°
S	=	56.74
r1 max	=	3.80
r2	=	7.60

Collet

H1 *	=	6.43
H2 ¹⁾	=	6.42

Prise de rayures

G1 ¹⁾ *	=	5.85
G ¹⁾ *	=	18.00
alpha1	=	180°
h	=	
s	=	
i ¹⁾	=	0°28'39"
w	=	

Canon

F ¹⁾ *	=	5.55
Z ¹⁾	=	5.75

Rayures

b	=	2.00
N	=	6
u	=	270.00
Q	=	25.42 mm ²

Échelle 1:1

Dimensions en << mm >>
Dimensions et tolérances pour les canons
d'épreuve: Voyez Annexe CR 1.

Notes: 1) A' contrôler pour la sécurité
* Dimensions de base