

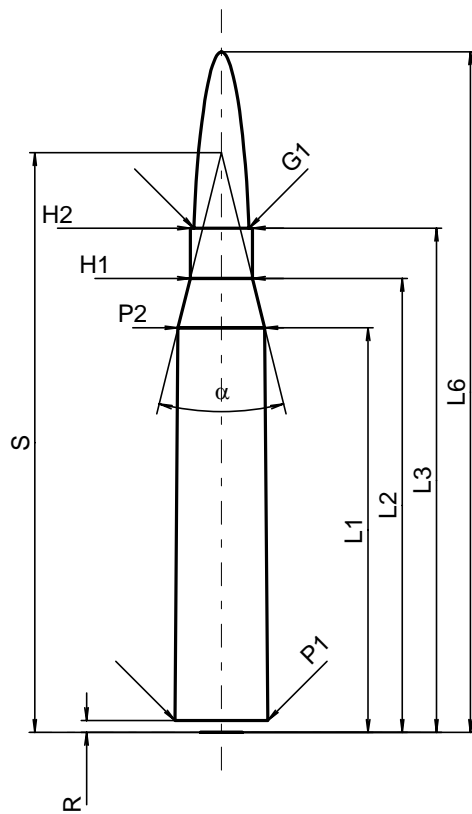
C.I.P.**7 x 67 R Luyven**

TAB. II

Date 06-05-16

Pays d'origine: DE

Révision

**CARTOUCHE MAXI****Longueurs**

L1	=	53.53
L2	=	60.05
L3 ¹⁾	=	66.70
L4	=	
L5	=	
L6	=	90.00

Culot

R ¹⁾	=	1.60	-0.25
R1	=		
R3	=		
E	=		
E1	=		
e min	=		
delta	=		
f	=		
beta	=		

Chambre à poudre

P1	=	12.27
P2*	=	11.47

Cône de raccordement

alpha*	=	27°49'24"
S*	=	76.68
r1 min	=	
r2	=	

Collet

H1*	=	8.24
H2 ¹⁾	=	8.24

Projectile

G1 ^{1)*}	=	7.25
G2	=	
F	=	
L3+G ¹⁾	=	86.38

Pressions (Énergies)**Méthode transducteur**

Pmax	=	3800 bar
PK	=	4370 bar
PE	=	4750 bar
M	=	25.00
EE	=	3800 Joule

Autres indications

Fe ¹⁾	=	0.15
delta L	=	

CHAMBRE MINI**Longueurs**

L1	=	53.50
L2	=	60.00
L3 ¹⁾	=	67.00

Cuvette

R ¹⁾	=	1.60
R1	=	13.55
R2	=	
R3	=	
r	=	

Chambre à poudre

E	=	1.60
P1	=	12.30
P2*	=	11.50

Cône de raccordement

alpha*	=	27°49'24"
S*	=	76.71
r1 max	=	
r2	=	

Collet

H1*	=	8.28
H2 ¹⁾	=	8.27

Prise de rayures

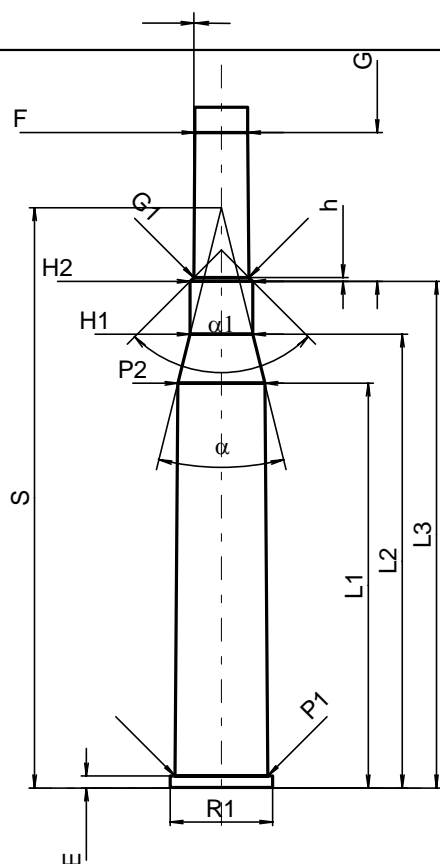
G1 ^{1)*}	=	7.30
G ¹⁾	=	19.68
alpha1	=	90°
h*	=	0.49
s	=	
i*	=	0°28'39"
w	=	

Canon

F ^{1)*}	=	6.98
Z ¹⁾	=	7.24

Rayures

b	=	3.70
N	=	4
u	=	228.00
Q	=	40.29 mm ²



Échelle 1:1

Dimensions en << mm >>
Dimensions et tolérances pour les canons
d'épreuve: Voyez Annexe CR 1.

Notes: 1) A contrôler pour la sécurité
* Dimensions de base