

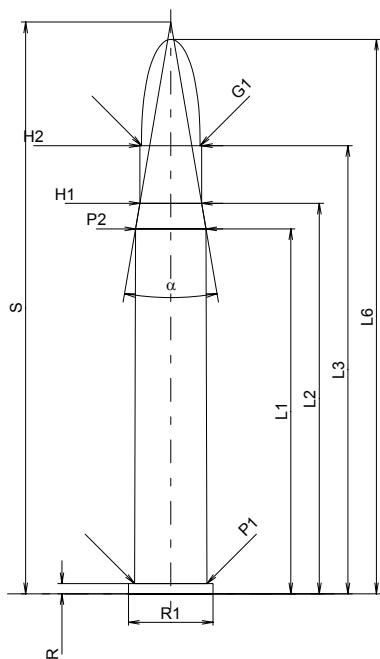
C.I.P.**450 No.2 N.E. 3"1/2 Eley**

TAB. II

Date 98-01-27

Pays d'origine: GB

Révision 02-05-15

**CARTOUCHE MAXI****Longueurs**

L1 [*]	=	72.39
L2 [*]	=	77.47
L3 ¹⁾	=	88.90
L4	=	
L5	=	
L6	=	109.98

Colot

R ¹⁾	=	2.03	-0.25
R1	=	16.76	
R3	=		
E	=		
E1	=		
e min	=		
delta	=		
f	=		
beta	=		

Chambre à poudre

P1	=	14.35
P2 [*]	=	13.97

Cône de raccordement

alpha	=	19°19'36"
S	=	113.41
r1 min	=	
r2	=	

Collet

H1 [*]	=	12.24
H2 ¹⁾	=	12.24

Projectile

G1 ¹⁾	=	11.63
G2	=	
F	=	
L3+G ¹⁾	=	93.67

Pressions (Énergies)**Méthode transducteur**

Pmax	=	2800 bar
PK	=	3220 bar
PE	=	3500 bar
M	=	25.00
EE	=	7140 Joule

Autres indications

Fe ¹⁾	=	0.15
delta L	=	

CHAMBRE MINI**Longueurs**

L1 [*]	=	73.66
L2 [*]	=	78.74
L3 ¹⁾	=	90.17

Cuvette

R ¹⁾	=	2.08
R1	=	17.01
R2	=	
R3	=	
r	=	

Chambre à poudre

E	=	
P1 ¹⁾	=	14.48
P2 [*]	=	14.09

Cône de raccordement

alpha	=	20°05'34"
S	=	113.43
r1 max	=	
r2	=	

Collet

H1 [*]	=	12.29
H2 ¹⁾	=	12.29

Prise de rayures

G1 ¹⁾ *	=	11.68
G ¹⁾ *	=	4.77
alpha1	=	90°
h [*]	=	0.31
s	=	
i ¹⁾	=	1°36'19"
w	=	

Canon

F ¹⁾ *	=	11.43
Z ¹⁾	=	11.61

Rayures

b	=	3.56
N	=	7
u	=	381.00
Q	=	104.89 mm ²

Échelle 1:1.5

Dimensions en << mm >>
Dimensions et tolérances pour les canons
d'épreuve: Voyez Annexe CR 1.

Notes: 1) A' contrôler pour la sécurité
* Dimensions de base