

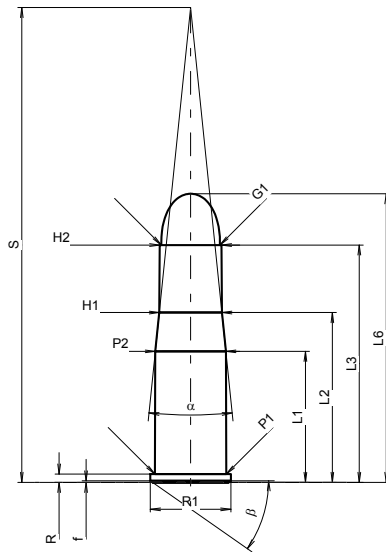
C.I.P.**45-75 Win.**

TAB. II

Date 07-05-15

Pays d'origine: US

Révision 08-04-15

**CARTOUCHE MAXI****Longueurs**

L1	=	26.00
L2	=	33.70
L3 ¹⁾	=	47.10
L4	=	
L5	=	
L6	=	57.28

Culot

R ¹⁾	=	1.63	-0.25
R1	=	15.98	
R3	=		
E	=		
E1	=		
e min	=		
delta	=		
f	=	0.30	
beta	=	35°	

Chambre à poudre

P1	=	14.20
P2 *	=	14.00

Cône de raccordement

alpha *	=	11°42'57"
S *	=	94.23
r1 min	=	
r2	=	

Collet

H1 *	=	12.42
H2 ¹⁾	=	12.26

Projectile

G1 ¹⁾	=	11.66
G2	=	
F	=	
L3+G ¹⁾	=	48.48

Pressions (Énergies)**Méthode transducteur**

Pmax	=	2050 bar
PK	=	2358 bar
PE	=	2563 bar
M	=	25.00
EE	=	3700 Joule

Autres indications

Fe ¹⁾⁴⁾	=	0.15
delta L	=	

CHAMBRE MINI**Longueurs**

L1	=	26.12
L2	=	33.74
L3 ¹⁾	=	47.18

Cuvette

R ¹⁾	=	1.63
R1	=	16.03
R2	=	
R3	=	
r	=	

Chambre à poudre

E	=	
P1 ¹⁾	=	14.23
P2 *	=	14.03

Cône de raccordement

alpha *	=	11°50'17"
S *	=	93.78
r1 max	=	
r2	=	

Collet

H1 *	=	12.45
H2 ¹⁾	=	12.29

Prise de rayures

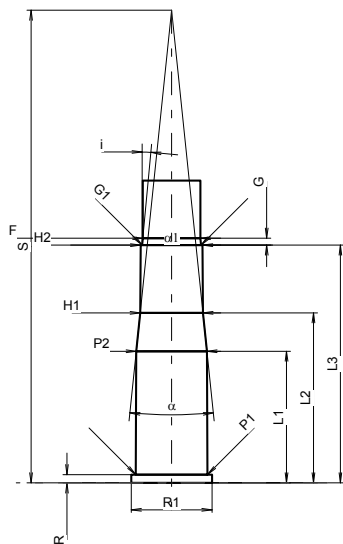
G1 ¹⁾ *	=	11.69
G ¹⁾	=	1.38
alpha1 *	=	180°
h	=	
s	=	
i ¹⁾ *	=	5°22'54"
w	=	

Canon

F ¹⁾ *	=	11.43
Z ¹⁾	=	11.58

Rayures

b	=	3.58
N	=	6
u	=	508.00
Q	=	104.25 mm ²



Échelle 1:1.5

Dimensions en << mm >>
Dimensions et tolérances pour les canons
d'épreuve: Voyez Annexe CR 1.

Notes: 1) A' contrôler pour la sécurité
4) Feuillure sur la bourrelet
* Dimensions de base