

C.I.P.**408 Win.**

TAB.

II

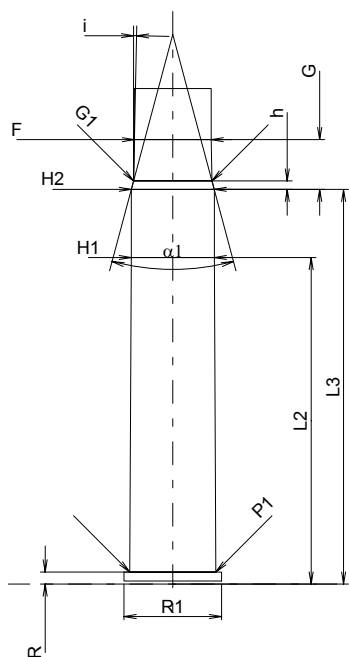
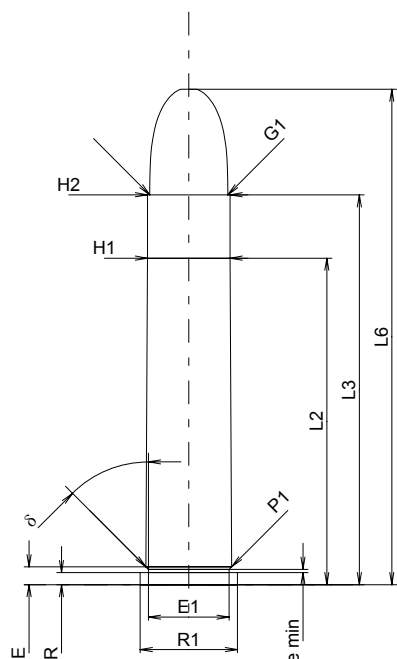
Date

84-06-14

Pays d'origine: US

Révision

02-05-15

**CARTOUCHE MAXI****Longueurs**

L1	=	
L2	=	43.18
L3 ¹⁾	=	51.56
L4	=	
L5	=	
L6	=	65.53

Colot

R ¹⁾	=	1.60	-0.25
R1	=	12.85	
R3	=		
E	=	2.36	
E1	=	10.67	
e min	=	0.43	
delta	=	45°	
f	=		
beta	=		

Chambre à poudre

P1	=	11.33
P2	=	

Cône de raccordement

alpha	=	
S	=	
r1 min	=	
r2	=	

Collet

H1*	=	10.92
H2 ¹⁾	=	10.92

Projectile

G1 ¹⁾	=	10.31
G2	=	
F	=	
L3+G ¹⁾	=	58.14

Pressions (Énergies)**Méthode transducteur**

Pmax	=	4100 bar
PK	=	4715 bar
PE	=	5125 bar
M	=	25.00
EE	=	4190 Joule

Autres indications

Fe ¹⁾	=	0.10
delta L	=	

CHAMBRE MINI**Longueurs**

L1	=	
L2	=	43.18
L3 ¹⁾	=	52.20

Cuvette

R ¹⁾	=	1.60
R1	=	12.88
R2	=	
R3	=	
r	=	

Chambre à poudre

E	=	
P1 ¹⁾	=	11.39
P2	=	

Cône de raccordement

alpha	=	
S	=	
r1 max	=	
r2	=	

Collet

H1*	=	10.97
H2 ¹⁾	=	10.97

Prise de rayures

G1 ¹⁾ *	=	10.38
G ¹⁾	=	6.58
alpha 1*	=	30°
h	=	1.10
s	=	
i ¹⁾ *	=	1°12'08"
w	=	

Canon

F ¹⁾ *	=	10.15
Z ¹⁾	=	10.33

Rayures

b	=	3.19
N	=	6
u	=	356.00
Q	=	82.67 mm ²

Échelle 1:1

Dimensions en << mm >>
Dimensions et tolérances pour les canons
d'épreuve: Voyez Annexe CR 1.

Notes: 1) A' contrôler pour la sécurité
* Dimensions de base