

**C.I.P.****375 Win.**

TAB.

II

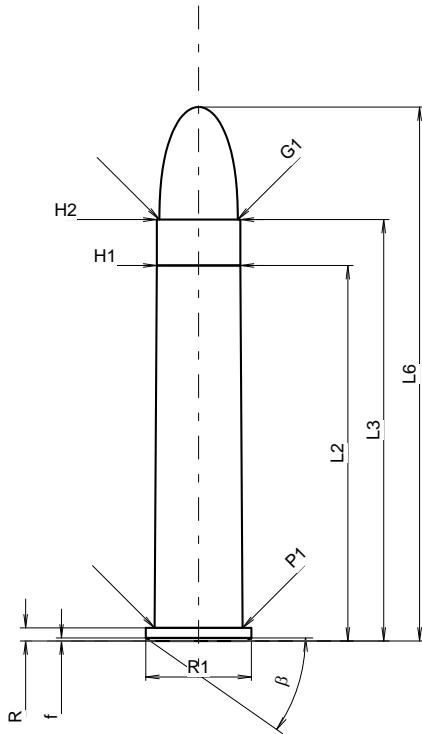
Date

84-06-14

Revision

10-05-26

Country of Origin: US

**CARTRIDGE MAXI****Lengths**

L1	=	
L2	=	45.72
L3 <sup>1)</sup>	=	51.31
L4	=	
L5	=	
L6	=	65.02

**Case Head**

R <sup>1)</sup>	=	1.60	-0.25
R1	=	12.85	
R3	=		
E	=		
E1	=		
e min	=		
δ	=		
f	=	0.38	
β	=	35°	

**Powder Chamber**

P1	=	10.71
P2	=	

**Junction Cone**

α	=	
S	=	
r1 min	=	
r2	=	

**Collar**

H1 *	=	10.16
H2 <sup>1)</sup>	=	10.16

**Projectile**

G1 <sup>1)</sup>	=	9.55
G2	=	
F	=	
L3+G <sup>1)</sup>	=	58.62

**Pressures (Energies)****Method Transducer**

Pmax	=	3800 bar
PK	=	4370 bar
PE	=	4750 bar
M	=	25.00
EE	=	2930 Joule

**Miscellaneous Dimensions**

Fe <sup>1)4)</sup>	=	0.15
delta L	=	

**CHAMBER MINI****Lengths**

L1	=	
L2	=	45.72
L3 <sup>1)</sup>	=	52.83

**Breech**

R <sup>1)</sup>	=	1.60
R1	=	13.11
R2	=	
R3	=	
r	=	

**Powder Chamber**

E	=	
P1 <sup>1)</sup>	=	10.74
P2	=	

**Junction Cone**

α	=	
S	=	
r1 max	=	
r2	=	

**Collar**

H1 *	=	10.20
H2 <sup>1)</sup>	=	10.20

**Commencement of Rifling**

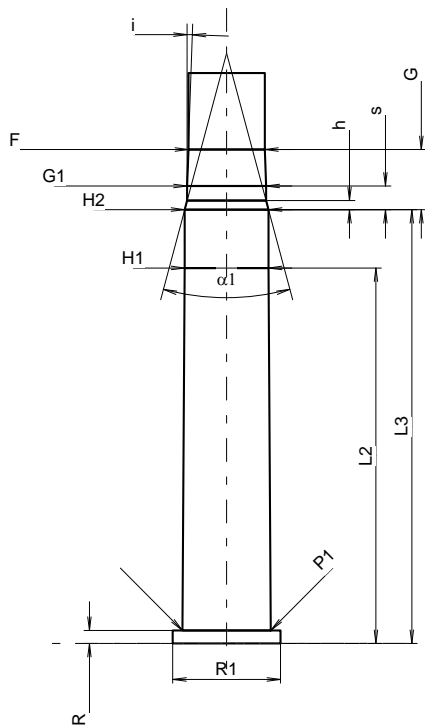
G1 <sup>1)</sup> *	=	9.61
G <sup>1)</sup>	=	7.31
α1 *	=	30°
h	=	1.10
s	=	2.87
i <sup>1)</sup> *	=	2°
w	=	

**Barrel**

F <sup>1)</sup> *	=	9.30
Z <sup>1)</sup>	=	9.55

**Grooves**

b	=	2.92
N	=	6
u	=	305.00
Q	=	70.16 mm <sup>2</sup>



Scale 1.09:1

Dimensions in << mm >>  
Dimensions and Tolerances for Proof Barrels  
see Appendix CR 1.

Notes: 1) Check for safety reasons  
4) Headspace on Rim  
\* Basic dimensions