

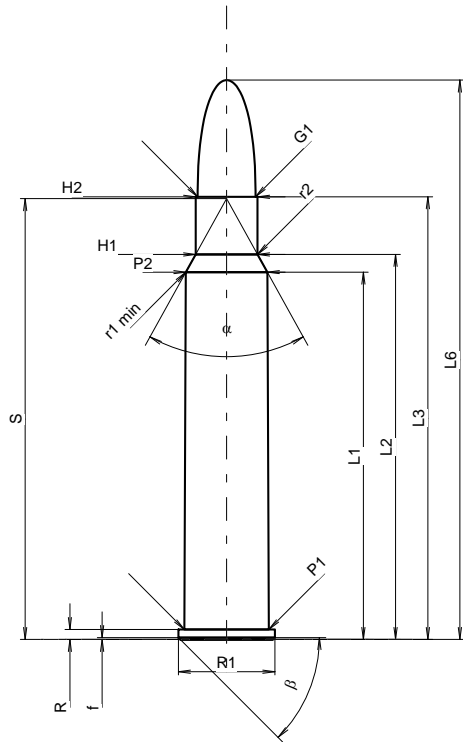
C.I.P.**375 R Verney-Carron**

TAB. II

Date 10-05-26

Country of Origin: FR

Revision

**CARTRIDGE MAXI****Lengths**

| | | |
|------------------|---|-------|
| L1 | = | 60.58 |
| L2 | = | 63.50 |
| L3 ¹⁾ | = | 73.00 |
| L4 | = | |
| L5 | = | |
| L6 | = | 92.25 |

Case Head

| | | |
|-----------------|---|-------------|
| R ¹⁾ | = | 1.65 |
| R1 | = | 15.90 -0.25 |
| R3 | = | |
| E | = | |
| E1 | = | |
| e min | = | |
| delta | = | |
| f | = | 0.30 |
| beta | = | 45° |

Powder Chamber

| | | |
|------|---|-------|
| P1 | = | 13.95 |
| P2 * | = | 13.45 |

Junction Cone

| | | |
|---------|---|-------|
| alpha * | = | 58° |
| S * | = | 72.70 |
| r1 min | = | 0.50 |
| r2 | = | 1.70 |

Collar

| | | |
|------------------|---|-------|
| H1 * | = | 10.21 |
| H2 ¹⁾ | = | 10.21 |

Projectile

| | | |
|--------------------|---|-------|
| G1 ¹⁾ | = | 9.53 |
| G2 | = | |
| F | = | |
| L3+G ¹⁾ | = | 84.40 |

Pressures (Energies)**Method Transducer**

| | | |
|------|---|------------|
| Pmax | = | 4100 bar |
| PK | = | 4715 bar |
| PE | = | 5125 bar |
| M | = | 25.00 |
| EE | = | 7100 Joule |

Miscellaneous Dimensions

| | | |
|--------------------|---|------|
| Fe ¹⁾⁴⁾ | = | 0.10 |
| delta L | = | |

CHAMBER MINI**Lengths**

| | | |
|------------------|---|-------|
| L1 | = | 60.59 |
| L2 | = | 63.50 |
| L3 ¹⁾ | = | 73.30 |

Breech

| | | |
|-----------------|---|-------|
| R ¹⁾ | = | 1.65 |
| R1 | = | 15.93 |
| R2 | = | |
| R3 | = | |
| r | = | |

Powder Chamber

| | | |
|------------------|---|-------|
| E | = | |
| P1 ¹⁾ | = | 13.98 |
| P2 * | = | 13.48 |

Junction Cone

| | | |
|---------|---|-------|
| alpha * | = | 58° |
| S * | = | 72.75 |
| r1 max | = | 0.30 |
| r2 | = | 1.70 |

Collar

| | | |
|------------------|---|-------|
| H1 * | = | 10.26 |
| H2 ¹⁾ | = | 10.26 |

Commencement of Rifling

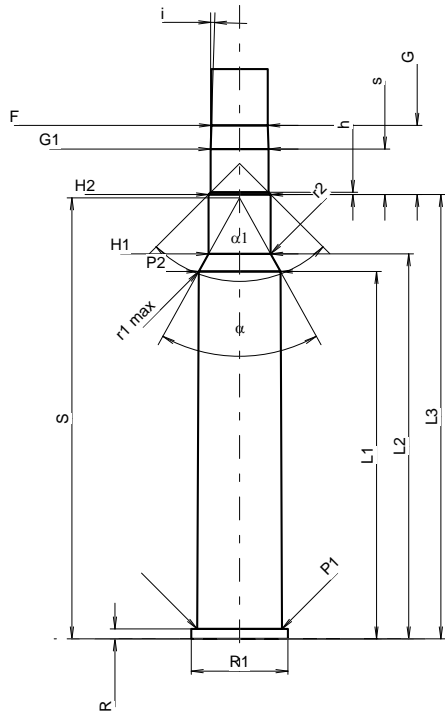
| | | |
|--------------------|---|-------|
| G1 ¹⁾ * | = | 9.54 |
| G ¹⁾ | = | 11.40 |
| alpha 1 | = | 90° |
| h | = | 0.36 |
| s * | = | 7.51 |
| i ¹⁾ * | = | 1°46' |
| w | = | |

Barrel

| | | |
|-------------------|---|------|
| F ¹⁾ * | = | 9.30 |
| Z ¹⁾ | = | 9.53 |

Grooves

| | | |
|---|---|-----------------------|
| b | = | 2.92 |
| N | = | 6 |
| u | = | 305.00 |
| Q | = | 69.98 mm ² |



Scale 1:1.25

Dimensions in << mm >>
Dimensions and Tolerances for Proof Barrels
see Appendix CR 1.

Notes: 1) Check for safety reasons
4) Headspace on Rim
* Basic dimensions