

C.I.P.

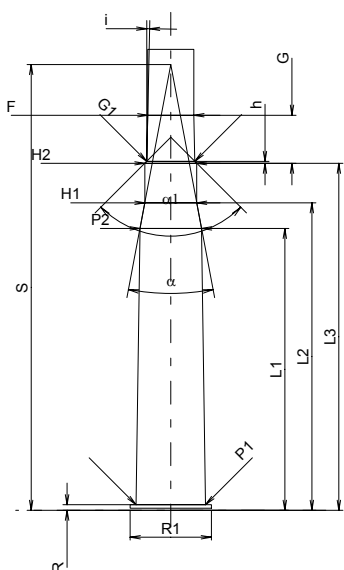
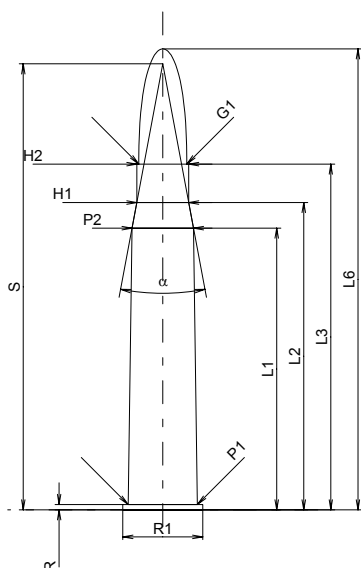
369 N.E. Purdey

Country of Origin: GB

TAB. II

Date 84-06-14

Revision 02-05-15



Scale 1:1.5

Dimensions in << mm >>
Dimensions and Tolerances for Proof Barrels
see Appendix CR 1.

CARTRIDGE MAXI

Lengths

| | | |
|------------------|---|-------|
| L1* | = | 55.88 |
| L2* | = | 60.96 |
| L3 ¹⁾ | = | 68.58 |
| L4 | = | |
| L5 | = | |
| L6 | = | 91.44 |

Case Head

| | | | |
|-----------------|---|-------|-------|
| R ¹⁾ | = | 1.07 | -0.25 |
| R1 | = | 15.85 | |
| R3 | = | | |
| E | = | | |
| E1 | = | | |
| e min | = | | |
| δ | = | | |
| f | = | | |
| β | = | | |

Powder Chamber

| | | |
|-----|---|-------|
| P1 | = | 13.74 |
| P2* | = | 12.19 |

Junction Cone

| | | |
|--------|---|-----------|
| α | = | 21°11'05" |
| S | = | 88.47 |
| r1 min | = | |
| r2 | = | |

Collar

| | | |
|------------------|---|-------|
| H1* | = | 10.29 |
| H2 ¹⁾ | = | 10.29 |

Projectile

| | | |
|--------------------|---|-------|
| G1 ¹⁾ | = | 9.52 |
| G2 | = | |
| F | = | |
| L3+G ¹⁾ | = | 78.12 |

Pressures (Energies)

Method Transducer

| | | |
|------|---|------------|
| Pmax | = | 3050 bar |
| PK | = | 3508 bar |
| PE | = | 3810 bar |
| M | = | 25.00 |
| EE | = | 4130 Joule |

Miscellaneous Dimensions

| | | |
|------------------|---|------|
| Fe ¹⁾ | = | 0.15 |
| delta L | = | |

CHAMBER MINI

Lengths

| | | |
|------------------|---|-------|
| L1* | = | 55.91 |
| L2* | = | 60.99 |
| L3 ¹⁾ | = | 68.83 |

Breech

| | | |
|-----------------|---|-------|
| R ¹⁾ | = | 1.09 |
| R1 | = | 16.10 |
| R2 | = | |
| R3 | = | |
| r | = | |

Powder Chamber

| | | |
|------------------|---|-------|
| E | = | |
| P1 ¹⁾ | = | 13.77 |
| P2* | = | 12.22 |

Junction Cone

| | | |
|--------|---|-----------|
| α | = | 21°17'38" |
| S | = | 88.41 |
| r1 max | = | |
| r2 | = | |

Collar

| | | |
|------------------|---|-------|
| H1* | = | 10.31 |
| H2 ¹⁾ | = | 10.31 |

Commencement of Rifling

| | | |
|--------------------|---|----------|
| G1 ¹⁾ * | = | 9.55 |
| G ¹⁾ * | = | 9.54 |
| α1 | = | 90° |
| h* | = | 0.38 |
| s | = | |
| i ¹⁾ | = | 1°15'02" |
| w | = | |

Barrel

| | | |
|-------------------|---|------|
| F ¹⁾ * | = | 9.15 |
| Z ¹⁾ | = | 9.50 |

Grooves

| | | |
|---|---|-----------------------|
| b | = | |
| N | = | |
| u | = | 406.00 |
| Q | = | 65.76 mm ² |

Notes: 1) Check for safety reasons
* Basic dimensions