

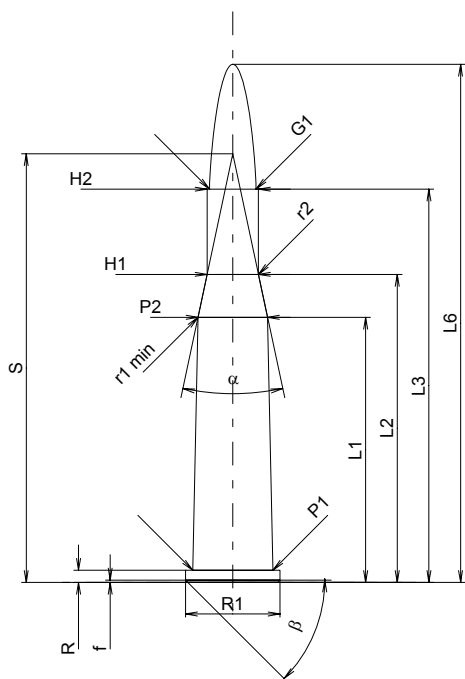
**C.I.P.****6 x 52 R Bretschneider**

Country of Origin: DE

TAB. II

Date 98-01-27

Revision 02-05-15

**CARTRIDGE MAXI****Lengths**

L1 <sup>*</sup>	=	35.04
L2 <sup>*</sup>	=	40.73
L3 <sup>1)</sup>	=	52.00
L4	=	
L5	=	
L6	=	68.50

**Case Head**

R <sup>1)</sup>	=	1.60	-0.25
R1	=	12.50	
R3	=		
E	=		
E1	=		
e min	=		
delta	=		
f	=	0.30	
beta	=	45°	

**Powder Chamber**

P1	=	10.62
P2 <sup>*</sup>	=	9.20

**Junction Cone**

alpha	=	24°00'38"
S	=	56.67
r1 min	=	0.50
r2	=	0.50

**Collar**

H1 <sup>*</sup>	=	6.78
H2 <sup>1)</sup>	=	6.78

**Projectile**

G1 <sup>1)</sup>	=	6.17
G2	=	
F	=	
L3+G <sup>1)</sup>	=	58.67

**Pressures (Energies)****Method Transducer**

Pmax	=	3300 bar
PK	=	3795 bar
PE	=	4125 bar
M	=	25.00
EE	=	2205 Joule

**Miscellaneous Dimensions**

Fe <sup>1)</sup>	=	0.15
delta L	=	

**CHAMBER MINI****Lengths**

L1 <sup>*</sup>	=	35.03
L2 <sup>*</sup>	=	40.72
L3 <sup>1)</sup>	=	52.30

**Breech**

R <sup>1)</sup>	=	1.60
R1	=	12.55
R2	=	
R3	=	
r	=	

**Powder Chamber**

E	=	
P1 <sup>1)</sup>	=	10.65
P2 <sup>*</sup>	=	9.23

**Junction Cone**

alpha	=	24°00'39"
S	=	56.73
r1 max	=	3.80
r2	=	7.50

**Collar**

H1 <sup>*</sup>	=	6.81
H2 <sup>1)</sup>	=	6.80

**Commencement of Rifling**

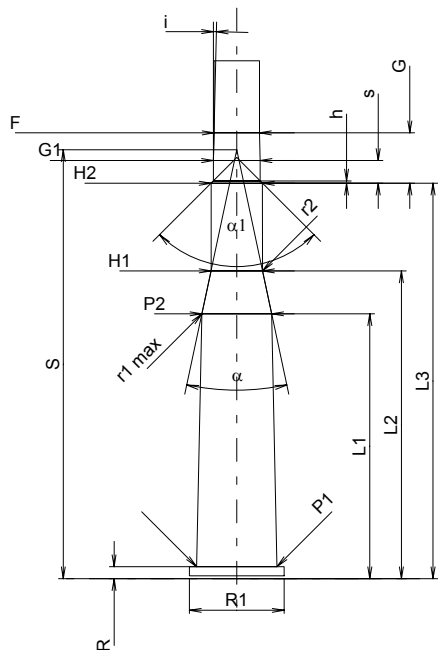
G1 <sup>1)</sup> *	=	6.19
G <sup>1)</sup> *	=	6.67
alpha1	=	90°
h	=	0.31
s <sup>*</sup>	=	3.00
i <sup>1)</sup>	=	1°19'36"
w	=	

**Barrel**

F <sup>1)</sup> *	=	6.02
Z <sup>1)</sup>	=	6.17

**Grooves**

b	=	1.73
N	=	6
u	=	254.00
Q	=	29.25 mm <sup>2</sup>



Scale 1:1

Dimensions in << mm >>  
Dimensions and Tolerances for Proof Barrels  
see Appendix CR 1.

Notes: 1) Check for safety reasons  
\* Basic dimensions