

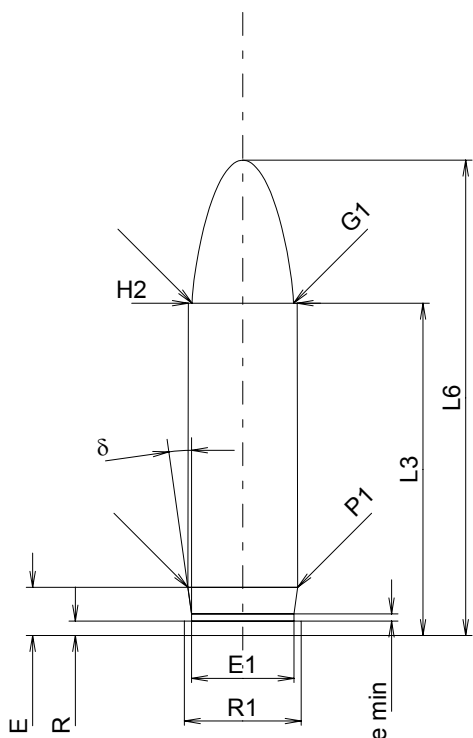
C.I.P.**35 Win. SL**

TAB. II

Date 84-06-14

Revision 02-05-15

Country of Origin: US

**CARTRIDGE MAXI****Lengths**

L1	=	
L2	=	
L3 ¹⁾	=	29.31
L4	=	
L5	=	
L6	=	41.91

Case Head

R ¹⁾	=	1.27	-0.25
R1	=	10.29	
R3	=		
E	=	4.26	
E1	=	9.02	
e min	=	0.64	
δ	=	8°	
f	=		
β	=		

Powder Chamber

P1	=	9.68
P2	=	

Junction Cone

α	=	
S	=	
r1 min	=	
r2	=	

Collar

H1	=	
H2 ¹⁾	=	9.58

Projectile

G1 ¹⁾	=	8.95
G2	=	
F	=	
L3+G ¹⁾	=	38.82

Pressures (Energies)**Method Transducer**

Pmax	=	2400 bar
PK	=	2760 bar
PE	=	3000 bar
M	=	17.50
EE	=	1150 Joule

Miscellaneous Dimensions

Fe ¹⁾	=	0.15
delta L	=	

CHAMBER MINI**Lengths**

L1	=	
L2	=	
L3 ¹⁾	=	29.81

Breech

R ¹⁾	=	1.27
R1	=	11.30
R2	=	
R3	=	
r	=	

Powder Chamber

E	=	
P1 ¹⁾	=	9.77
P2	=	

Junction Cone

α	=	
S	=	
r1 max	=	
r2	=	

Collar

H1	=	
H2 ¹⁾	=	9.62

Commencement of Rifling

G1 ^{1)*}	=	8.95
G ¹⁾	=	9.51
α1 [*]	=	30°
h	=	1.25
s	=	
i ^{1)*}	=	0°39'31"
w	=	

Barrel

F ^{1)*}	=	8.76
Z ¹⁾	=	8.92

Grooves

b	=	2.75
N	=	6
u	=	406.00
Q	=	61.61 mm ²

Scale 1.5:1

Dimensions in << mm >>
Dimensions and Tolerances for Proof Barrels
see Appendix CR 1.

Notes: 1) Check for safety reasons
* Basic dimensions