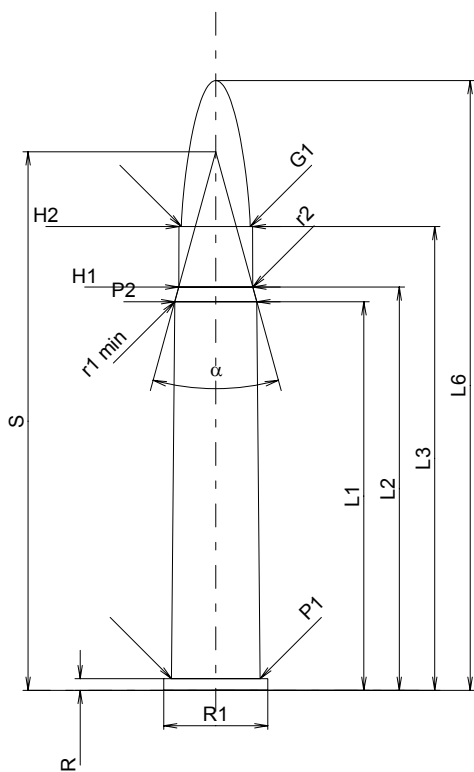


C.I.P.

35 Win.

TAB. II
Date 84-06-14
Revision 02-05-15

Country of Origin: US


CARTRIDGE MAXI
Lengths

L1	=	51.40
L2	=	53.34
L3 ¹⁾	=	61.34
L4	=	
L5	=	
L6	=	80.65

Case Head

R ¹⁾	=	1.55	-0.25
R1	=	13.79	
R3	=		
E	=		
E1	=		
e min	=		
delta	=		
f	=		
beta	=		

Powder Chamber

P1	=	11.72
P2*	=	10.86

Junction Cone

alpha*	=	30°37'59"
S*	=	71.23
r1 min	=	3.81
r2	=	3.81

Collar

H1*	=	9.80
H2 ¹⁾	=	9.71

Projectile

G1 ¹⁾	=	9.12
G2	=	
F	=	
L3+G ¹⁾	=	71.33

Pressures (Energies)
Method Transducer

Pmax	=	3050 bar
PK	=	3508 bar
PE	=	3810 bar
M	=	25.00
EE	=	4145 Joule

Miscellaneous Dimensions

Fe ¹⁾	=	0.15
delta L	=	

CHAMBER MINI
Lengths

L1	=	51.40
L2	=	53.39
L3 ¹⁾	=	61.75

Breech

R ¹⁾	=	1.55
R1	=	14.05
R2	=	1.47
R3	=	
r	=	

Powder Chamber

E	=	
P1 ¹⁾	=	11.76
P2*	=	10.90

Junction Cone

alpha*	=	30°37'58"
S*	=	71.30
r1 max	=	3.81
r2	=	3.81

Collar

H1*	=	9.81
H2 ¹⁾	=	9.73

Commencement of Rifling

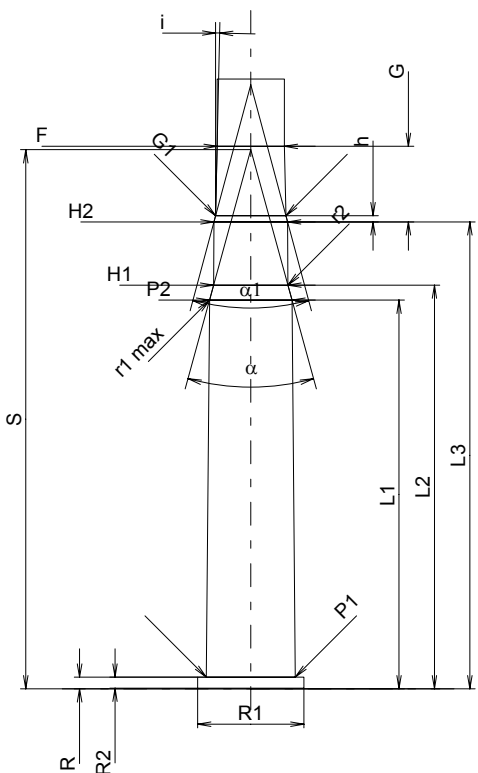
G1 ¹⁾ *	=	9.29
G ¹⁾	=	9.99
alpha1*	=	30°
h	=	0.82
s	=	
i ¹⁾ *	=	1°15'
w	=	

Barrel

F ¹⁾ *	=	8.89
Z ¹⁾	=	9.09

Grooves

b	=	
N	=	
u	=	355.00
Q	=	63.77 mm ²



Scale 1:1

 Dimensions in << mm >>
 Dimensions and Tolerances for Proof Barrels
 see Appendix CR 1.

 Notes: 1) Check for safety reasons
 * Basic dimensions