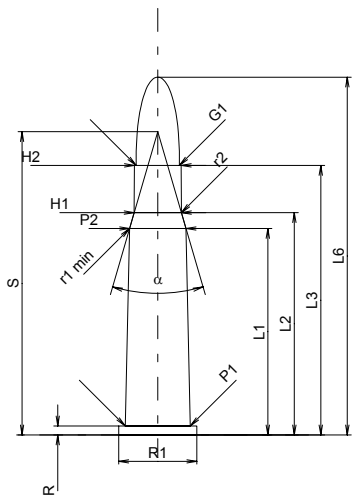


# C.I.P.

# 33 Win.

**TAB. II**
**Date 84-06-14**

Country of Origin: US

**Revision 02-05-15**

**CARTRIDGE MAXI**
**CHAMBER MINI**
**Lengths**
**Lengths**

L1	=	40.96
L2	=	44.10
L3 <sup>1)</sup>	=	53.47
L4	=	
L5	=	
L6	=	70.99

L1	=	41.05
L2	=	44.21
L3 <sup>1)</sup>	=	54.61

**Case Head**
**Breech**

R <sup>1)</sup>	=	1.78	-0.25
R1	=	15.49	
R3	=		
E	=		
E1	=		
e min	=		
delta	=		
f	=		
beta	=		

R <sup>1)</sup>	=	1.78
R1	=	15.75
R2	=	
R3	=	
r	=	

**Powder Chamber**
**Powder Chamber**

P1	=	12.90
P2 *	=	11.20

E	=	
P1 <sup>1)</sup>	=	12.97
P2 *	=	11.26

**Junction Cone**
**Junction Cone**

alpha *	=	32°30'
S *	=	60.17
r1 min	=	7.62
r2	=	5.20

alpha *	=	32°30'
S *	=	60.37
r1 max	=	7.62
r2	=	5.08

**Collar**
**Collar**

H1 *	=	9.37
H2 <sup>1)</sup>	=	9.29

H1 *	=	9.42
H2 <sup>1)</sup>	=	9.31

**Projectile**
**Commencement of Rifling**

G1 <sup>1)</sup>	=	8.60
G2	=	
F	=	
L3+G <sup>1)</sup>	=	62.97

G1 <sup>1)</sup> *	=	8.78
G <sup>1)</sup>	=	9.50
alpha 1 *	=	30°
h	=	0.99
s	=	
i <sup>1)</sup> *	=	1°20'47"
w	=	

**Pressures (Energies)**
**Method Transducer**

Pmax	=	3050 bar
PK	=	3508 bar
PE	=	3810 bar
M	=	25.00
EE	=	4015 Joule

**Barrel**

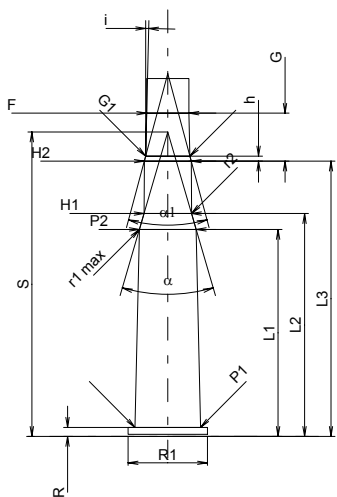
F <sup>1)</sup> *	=	8.38
Z <sup>1)</sup>	=	8.59

**Grooves**

b	=	2.79
N	=	6
u	=	305.00
Q	=	56.94 mm <sup>2</sup>

**Miscellaneous Dimensions**

Fe <sup>1)</sup>	=	0.15
delta L	=	



Scale 1:1.5

 Dimensions in << mm >>  
 Dimensions and Tolerances for Proof Barrels  
 see Appendix CR 1.

 Notes: 1) Check for safety reasons  
 \* Basic dimensions