

C.I.P.

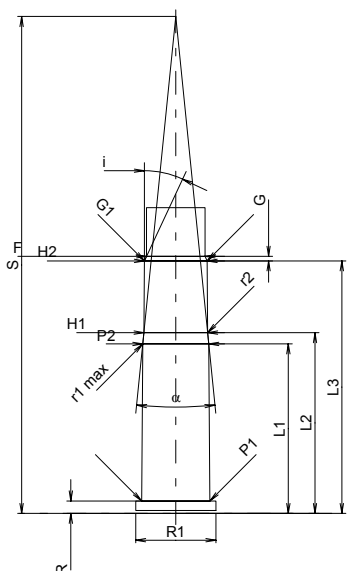
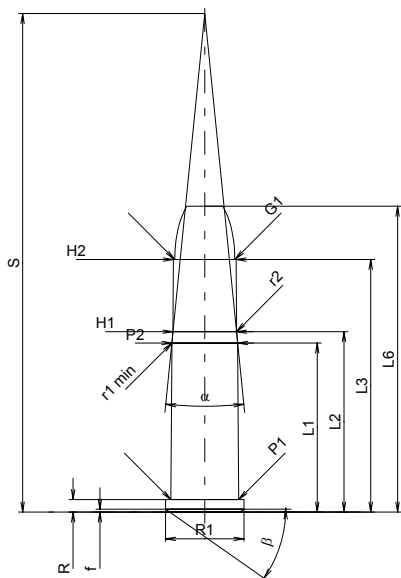
32-20 Win.

Country of Origin: US

TAB. II

Date 84-06-14

Revision 02-05-15



Scale 1:1

CARTRIDGE MAXI

Lengths

L1	=	22.35
L2	=	23.85
L3 ¹⁾	=	33.40
L4	=	
L5	=	
L6	=	40.44

Case Head

R ¹⁾	=	1.65	-0.25
R1	=	10.36	
R3	=		
E	=		
E1	=		
e min	=		
delta	=		
f	=	0.38	
beta	=	35°	

Powder Chamber

P1	=	8.98
P2 *	=	8.70

Junction Cone

alpha *	=	11°24'
S *	=	65.93
r1 min	=	0.76
r2	=	2.54

Collar

H1 *	=	8.40
H2 ¹⁾	=	8.30

Projectile

G1 ¹⁾	=	7.94
G2	=	
F	=	
L3+G ¹⁾	=	34.00

Pressures (Energies)

Method Transducer

Pmax	=	2100 bar
PK	=	2415 bar
PE	=	2625 bar
M	=	17.50
EE	=	1560 Joule

Miscellaneous Dimensions

Fe ¹⁾	=	0.15
delta L	=	

CHAMBER MINI

Lengths

L1	=	22.42
L2	=	23.91
L3 ¹⁾	=	33.40

Breech

R ¹⁾	=	1.65
R1	=	10.62
R2	=	
R3	=	
r	=	

Powder Chamber

E	=	
P1 ¹⁾	=	9.00
P2 *	=	8.72

Junction Cone

alpha *	=	11°30'
S *	=	65.72
r1 max	=	0.76
r2	=	8.13

Collar

H1 *	=	8.42
H2 ¹⁾	=	8.31

Commencement of Rifling

G1 ¹⁾ *	=	8.31
G ¹⁾	=	0.60
alpha 1	=	
h	=	
s	=	
i ¹⁾ *	=	25°
w	=	

Barrel

F ¹⁾ *	=	7.75
Z ¹⁾	=	7.90

Grooves

b	=	2.43
N	=	6
u	=	508.00
Q	=	48.28 mm ²

Dimensions in << mm >>
Dimensions and Tolerances for Proof Barrels
see Appendix CR 1.

Notes: 1) Check for safety reasons
* Basic dimensions