

C.I.P.

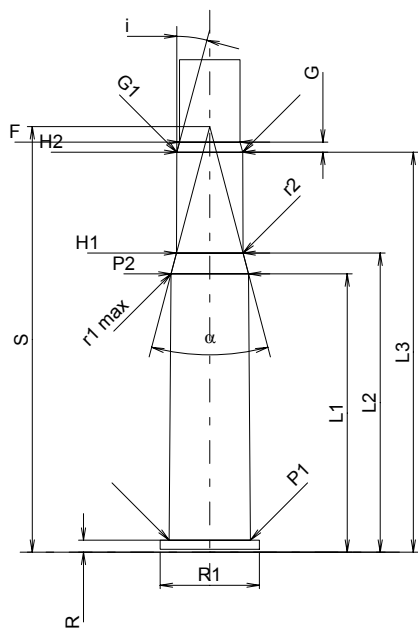
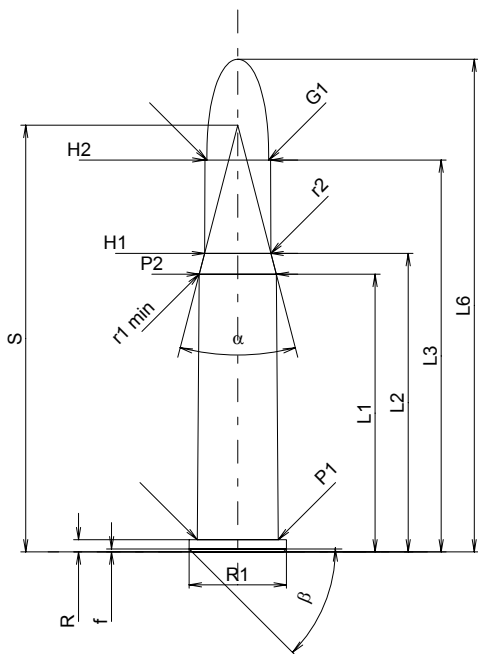
32 Win. Spec.

Country of Origin: US

TAB. II

Date 84-06-14

Revision 02-05-15



Scale 1:1

CARTRIDGE MAXI

Lengths

L1	=	36.72
L2	=	39.47
L3 ¹⁾	=	51.82
L4	=	
L5	=	
L6	=	65.15

Case Head

R ¹⁾	=	1.60	-0.25
R1	=	12.85	
R3	=		
E	=		
E1	=		
e min	=		
delta	=		
f	=	0.38	
beta	=	45°	

Powder Chamber

P1	=	10.72
P2*	=	10.20

Junction Cone

alpha*	=	29°01'59"
S*	=	56.42
r1 min	=	3.81
r2	=	7.62

Collar

H1*	=	8.78
H2 ¹⁾	=	8.71

Projectile

G1 ¹⁾	=	8.18
G2	=	
F	=	
L3+G ¹⁾	=	53.16

Pressures (Energies)

Method Transducer

Pmax	=	3050 bar
PK	=	3508 bar
PE	=	3810 bar
M	=	25.00
EE	=	2370 Joule

Miscellaneous Dimensions

Fe ¹⁾	=	0.15
delta L	=	

CHAMBER MINI

Lengths

L1	=	36.82
L2	=	39.56
L3 ¹⁾	=	52.91

Breech

R ¹⁾	=	1.60
R1	=	13.11
R2	=	
R3	=	
r	=	

Powder Chamber

E	=	
P1 ¹⁾	=	10.74
P2*	=	10.24

Junction Cone

alpha*	=	29°28'01"
S*	=	56.29
r1 max	=	3.81
r2	=	7.62

Collar

H1*	=	8.80
H2 ¹⁾	=	8.72

Commencement of Rifling

G1 ^{1)*}	=	8.72
G ¹⁾	=	1.34
alpha1*	=	180°
h	=	
s	=	
i ^{1)*}	=	15°
w	=	

Barrel

F ^{1)*}	=	8.00
Z ¹⁾	=	8.13

Grooves

b	=	2.69
N	=	6
u	=	406.00
Q	=	51.33 mm ²

Notes: 1) Check for safety reasons
* Basic dimensions

Dimensions in << mm >>
Dimensions and Tolerances for Proof Barrels
see Appendix CR 1.